

CENTRIFUGAL PUMPS

CLOSE-COUPLED DR SERIES



FEATURES

- Back pull-out design provides access to internal parts without disturbing the plumbing
- Robust cast iron volute standard; stainless steel alternate available for DR1 Series
- Volute discharge can be rotated in 90° increments with top vertical standard from the factory
- Multiple 1/4" NPT drain/pressure ports enable winterizing no matter the volute orientation
- Enclosed impeller design for increased efficiencies; thermoplastic and stainless steel options
- Multiple mechanical seal construction materials to accommodate handling various fluids
- Every pump unit factory wet tested to insure customer satisfaction
- Suitable for horizontal or vertical (motor end up) installation
- NEMA standard motor options include:
 - 48Y square flange, 1/2" threaded shaft, ODP
 - 56C round flange, 5/8" keyed shaft with coupling, ODP & TEFC
 - 56J round flange, 7/16" threaded shaft, ODP
- Pump end kits available for 56C & 56J motor construction
- Rotation: right hand; clockwise when viewed from motor end
- Maximum fluid handling temperature 180 °F (82 °C)

APPLICATIONS

- Water circulation
- Booster service
- Liquid transfer
- Spraying systems
- Jockey pump service
- General purpose pumping



Series	HP Range	Suction	Discharge	Max Flow	Max Head
DR1	1/2 - 1	1-1/4" NPT	1" NPT	65 GPM	115'
DR2	1 - 2	1-1/2" NPT	1-1/4" NPT	90 GPM	130'

CENTRIFUGAL PUMPS

CLOSE-COUPLED DR SERIES

☰ MENU



CENTRIFUGAL PUMPS

CLOSE-COUPLED DR SERIES

☰ MENU



TABLE OF CONTENTS

Nomenclature	4
Master Performance	5
Materials of Construction	5
DR Series.....	5
Performance	6
DRIS-CP.....	6
DRIS-SP.....	7
DRIC-CP.....	8
DRIC-SS.....	9
DR1J-CS.....	10
DR2S-CS.....	11
DR2C-CS.....	12
DR2J-CS.....	13
Materials and Parts	14
DRIS/DR2S - Square Flange.....	14
DR1J/DR2J - 56J Frame.....	15
DRIC/DR2C - 56C Frame.....	16
Motors	17
Dimensions	18
DRIS Square Flange.....	18
DRIC 56C Frame.....	19
DR1J 56J Frame.....	20
DR2S Square Flange.....	21
DR2C 56C Frame.....	22
DR2J 56J Frame.....	23
Pump End Kits	24
56J Round Flange, Threaded Shaft.....	24
56C Round Flange, Keyed Shaft.....	24

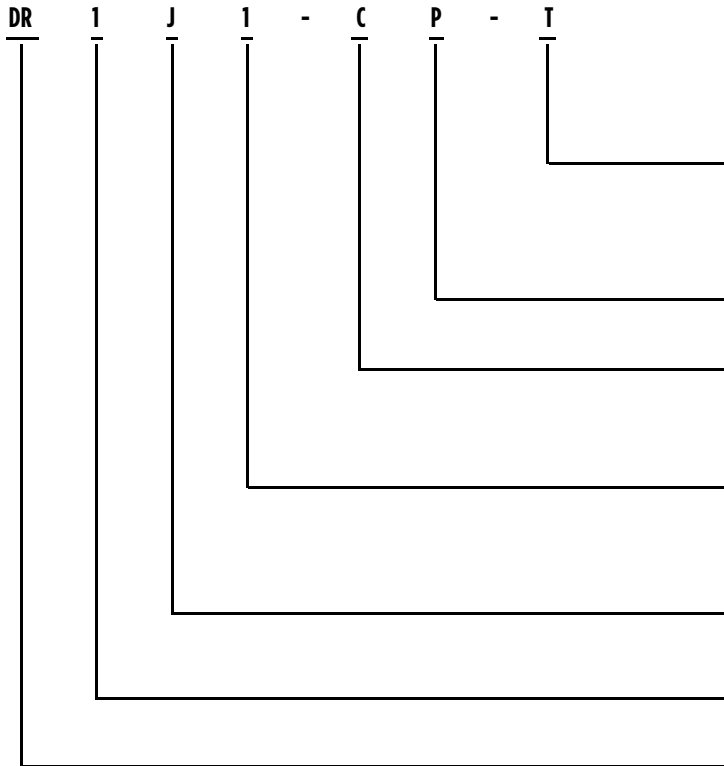
CENTRIFUGAL PUMPS

CLOSE-COUPLED DR SERIES

MENU



NOMENCLATURE



Blank = Single Phase, ODP
 SE = Single Phase, TEFC
 K = Pump End Kit (no motor)
 T = Three Phase, ODP
 TE = Three Phase, TEFC
 T5 = Three Phase, 575V, ODP
 TE5 = Three Phase, 575V, TEFC

P = Plastic Impeller
 S = Stainless Steel Impeller

C = Cast Iron Volute & Seal Plate or Bracket
 S = Stainless Steel Volute & Seal Plate

05 = 1/2 HP
 07 = 3/4 HP
 1 = 1 HP
 15 = 1-1/2 HP
 2 = 2 HP

S = 48Y Square Flange, Threaded 1/2"
 J = 56J Round Flanged, Threaded 7/16"
 C = 56C Round Flange, Keyed Shaft

1 = Volute Size 1-1/4" x 1"
 2 = Volute Size 1-1/2" x 1-1/4"

DR = Pump Series

NOTE: Pump construction options may vary by pump series and motor configuration

Series	Volute	Impeller	Seal Type	Flow Range (GPM)	Head Range (ft)	HP Range	Suc. x Disch.
DR1S-CP	CI	PL	1	20 - 60	30 - 105	1/2 - 1	1.25" x 1.00"
DR1S-SP	SS	PL	1	20 - 60	33 - 110	1/2 - 1	1.25" x 1.00"
DR1C-CP	CI	PL	2	20 - 60	25 - 100	1/2 - 1	1.25" x 1.00"
DR1C-SS	SS	SS	2	20 - 60	22 - 107	1/2 - 1	1.25" x 1.00"
DR1J-CS	CI	SS	2	20 - 60	20 - 105	1/2 - 1	1.25" x 1.00"
DR2S-CS	CI	SS	1	30 - 90	25 - 127	1 - 2	1.50" x 1.25"
DR2C-CS	CI	SS	2	30 - 90	23 - 123	1 - 2	1.50" x 1.25"
DR2J-CS	CI	SS	2	30 - 90	25 - 122	1 - 2	1.50" x 1.25"

CENTRIFUGAL PUMPS

CLOSE-COUPLED DR SERIES

MENU



MASTER PERFORMANCE

DR1 Series: 1-1/4" Suction x 1" Discharge																	
DR1, 1/2 HP	PEI	Volute	Impeller	Seal Type	Fluid Max °F	Motor	Capacity in GPM at Total Feet of Head Indicated										Max Press. (PSI)
							30	40	50	60	70	80	90	100	110	120	
DRIC05-SS	0.82	SS	SS	2	180	56C	56	50	43	36	27	-	-	-	-	-	37
DRIS05-SP	0.87	SS	PL	1	120	48Y	62	56	49	42	33	-	-	-	-	-	38
DRIS05-CP	0.90	CI	PL	1	120	48Y	59	53	46	39	29	-	-	-	-	-	37
DRIC05-CP	0.96	CI	PL	2	120	56C	57	51	43	34	26	-	-	-	-	-	37
DRIJ05-CS	0.91	CI	SS	2	160	56J	54	48	42	35	26	-	-	-	-	-	37

DR1 Series: 1-1/4" Suction x 1" Discharge																	
DR1, 3/4 HP	PEI	Volute	Impeller	Seal Type	Fluid Max °F	Motor	Capacity in GPM at Total Feet of Head Indicated										Max Press. (PSI)
							30	40	50	60	70	80	90	100	110	120	
DRIC07-SS	0.82	SS	SS	2	180	56C	-	56	50	44	37	30	21	-	-	-	43
DRIS07-SP	0.87	SS	PL	1	120	48Y	-	61	55	49	42	34	24	-	-	-	43
DRIS07-CP	0.90	CI	PL	1	120	48Y	-	59	54	47	40	31	21	-	-	-	42
DRIC07-CP	0.96	CI	PL	2	120	56C	-	59	53	46	38	30	19	-	-	-	42
DRIJ07-CS	0.91	CI	SS	2	160	56J	-	55	50	44	37	30	20	-	-	-	42

DR1 Series: 1-1/4" Suction x 1" Discharge																	
DR1, 1 HP	PEI	Volute	Impeller	Seal Type	Fluid Max °F	Motor	Capacity in GPM at Total Feet of Head Indicated										Max Pressure (PSI)
							30	40	50	60	70	80	90	100	110	120	
DRIC1-SS	0.82	SS	SS	2	180	56C	-	-	57	52	47	40	33	26	-	-	49
DRIS1-SP	0.87	SS	PL	1	120	48Y	-	-	60	56	50	44	37	29	-	-	50
DRIS1-CP	0.90	CI	PL	1	120	48Y	-	-	58	53	47	40	32	24	-	-	48
DRIC1-CP	0.96	CI	PL	2	120	56C	-	-	57	51	45	38	30	21	-	-	47
DRIJ1-CS	1.00	CI	SS	2	160	56J	-	-	55	51	46	39	31	23	-	-	48

DR2 Series: 1-1/2" Suction x 1-1/4" Discharge																	
DR2, 1 HP	PEI	Volute	Impeller	Seal Type	Fluid Max °F	Motor	Capacity in GPM at Total Feet of Head Indicated										Max Press. (PSI)
							30	40	50	60	70	80	90	100	110	120	
DR2S1-CS	0.83	CI	SS	1	120	48Y	86	79	70	59	44	-	-	-	-	-	34
DR2C1-CS	0.90	CI	SS	2	180	56C	86	78	68	57	42	-	-	-	-	-	34
DR2J1-CS	0.93	CI	SS	2	160	56J	86	78	70	60	45	-	-	-	-	-	35

DR2 Series: 1-1/2" Suction x 1-1/4" Discharge																	
DR2, 1-1/2 HP	PEI	Volute	Impeller	Seal Type	Fluid Max °F	Motor	Capacity in GPM at Total Feet of Head Indicated										Max Press. (PSI)
							30	40	50	60	70	80	90	100	110	120	
DR2S15-CS	0.83	CI	SS	1	120	48Y	-	-	88	82	74	65	54	41	-	-	47
DR2C15-CS	0.90	CI	SS	2	180	56C	-	-	87	80	72	63	52	40	-	-	47
DR2J15-CS	0.93	CI	SS	2	160	56J	-	-	88	81	73	64	52	38	-	-	47

DR2 Series: 1-1/2" Suction x 1-1/4" Discharge																	
DR2, 2 HP	PEI	Volute	Impeller	Seal Type	Fluid Max °F	Motor	Capacity in GPM at Total Feet of Head Indicated										Max Press. (PSI)
							30	40	50	60	70	80	90	100	110	120	
DR2S2-CS	0.83	CI	SS	1	120	48Y	-	-	-	88	82	76	68	60	51	40	57
DR2C2-CS	0.90	CI	SS	2	180	56C	-	-	-	84	78	72	64	56	46	34	57
DR2J2-CS	0.93	CI	SS	2	160	56J	-	-	-	85	79	72	64	56	46	34	57

MATERIALS OF CONSTRUCTION

DR SERIES

Materials of Construction	Volute	Impeller	Seal Plate	Volute O-ring	Motor Bracket	Wear Ring	Shaft Seal	Shaft Coupling
DRIS-CP	Cast Iron, ASTM-A48, Class 30	PPE+PS 30% GF*	Cast Iron Class 25 ASTM A48	Nitrile	N/A	300 Series SS	PHEN/CER x BUNA-SS	N/A
DRIS-SP	303 Stainless Steel	PPE+PS 30% GF*	303 Stainless Steel	Nitrile	N/A	300 Series SS	PHEN/CER x BUNA-SS	N/A
DR2S-CS	Cast Iron, ASTM-A48, Class 30	304 Stainless Steel	Cast Iron Class 25 ASTM A48	Nitrile	N/A	300 Series SS	PHEN/CER x BUNA-SS	N/A
DRIJ-CS	Cast Iron, ASTM-A48, Class 30	304 Stainless Steel	N/A	FKM	Cast Iron, ASTM-A48, Class 30	300 Series SS	SiC/SiC FKM-SS	N/A
DR2J-CS	Cast Iron, ASTM-A48, Class 30	304 Stainless Steel	N/A	FKM	Cast Iron, ASTM-A48, Class 30	300 Series SS	SiC/SiC FKM-SS	N/A
DRIC-SS	303 Stainless Steel	304 Stainless Steel	303 Stainless Steel	FKM	Cast Iron, ASTM-A48, Class 30	300 Series SS	GL-SiC/GL-SiC/FKM-SS	302 SS
DRIC-CP	Cast Iron, ASTM-A48, Class 30	*PPE+PS 30% GF	Cast Iron Class 25 ASTM A48	Nitrile	Cast Iron, ASTM-A48, Class 30	300 Series SS	PHEN/CER x BUNA-SS	303 SS
DR2C-CS	Cast Iron, ASTM-A48, Class 30	304 Stainless Steel	Cast Iron Class 25 ASTM A48	FKM	Cast Iron, ASTM-A48, Class 30	300 Series SS	GL-SiC/GL-SiC/FKM-SS	303 SS

* Polyphenylene Ether Polystyrene Modified

Motor Configurations		
DRIS & DR2S	48Y	Square Flange with 1/2" threaded SS shaft, impeller mounts directly on motor shaft
DRIC & DR2C	56C	Round flange - keyed shaft, impeller mounts to shaft coupling with 1/2" threads
DRIJ & DR2J	56J	Round flange with 7/16" threaded shaft, impeller mounts directly on motor shaft

CENTRIFUGAL PUMPS

CLOSE-COUPLED DR SERIES

MENU

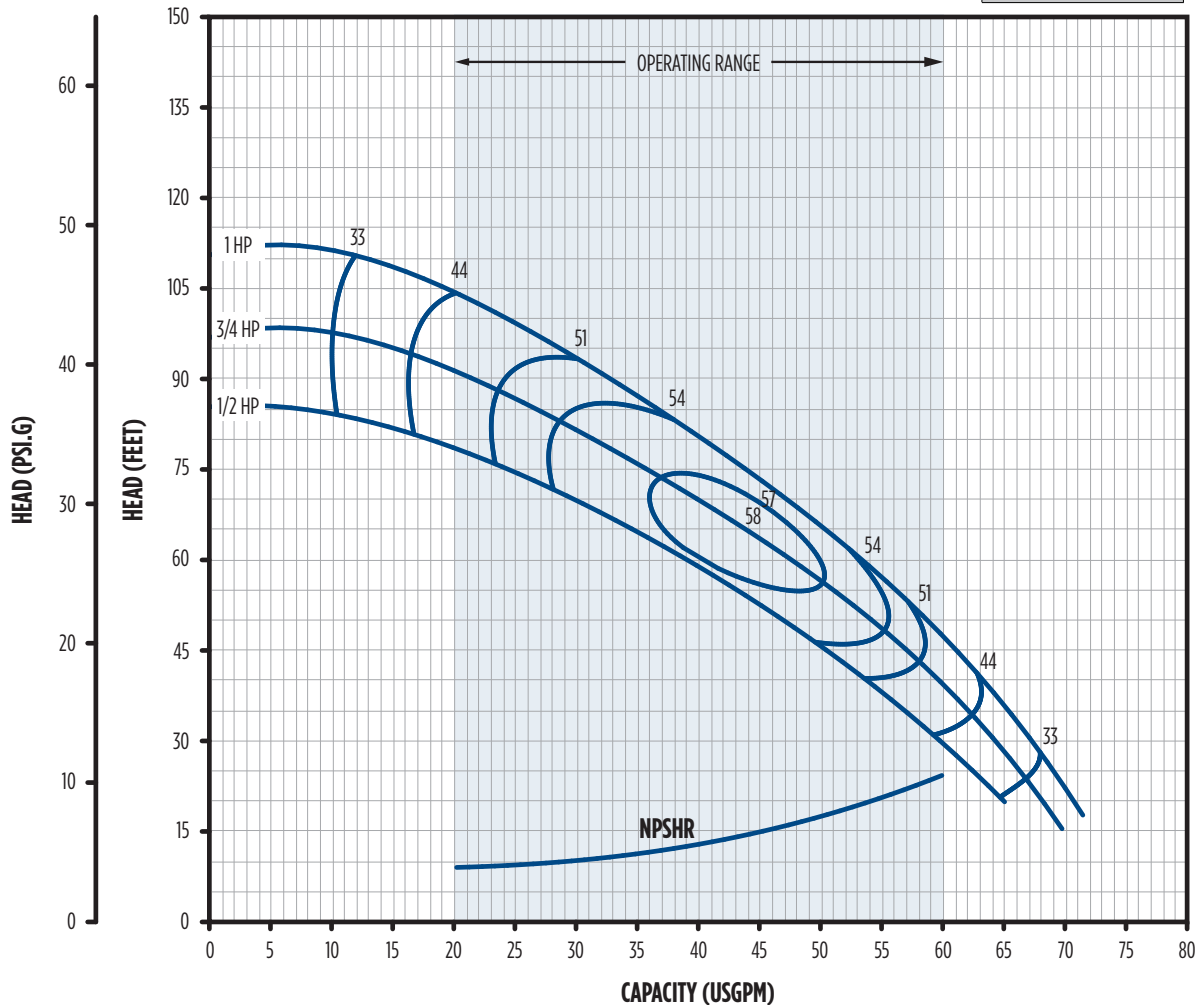


PERFORMANCE

DRIS-CP

PEI_{CL} Number

0.90



DRIS-CP	HP	PEI	Volute	Impeller	Seal Type	Fluid Max °F	Capacity in GPM at Total Feet of Head Indicated									Max (PSI)	
							30	40	50	60	70	80	90	100	110		120
DRIS05-CP	1/2	0.90	CI	PL	1	120	59.3	53.3	46.6	38.9	29.5	-	-	-	-	-	37.0
DRIS07-CP	3/4	0.90	CI	PL	1	120	63.9	58.9	53.5	47.5	40.6	32.3	20.9	-	-	-	42.0
DRIS1-CP	1	0.90	CI	PL	1	120	-	63.2	58.4	53.2	47.4	40.9	33.3	23.7	-	-	48.0

Enclosure	RPM	Phase	Voltage	HP	S.F.	S.F. Amps			Imp. Dia.	Order No.	Model No.	Wt. (lbs)
						115	230	460				
ODP	3600	1	115/230	1/2	1.90	12.4	6.1	-	4.70	97110005	DRIS05-CP	36
				3/4	1.65	14.8	7.3	-	5.00	97110007	DRIS07-CP	39
				1	1.65	19.9	9.9	-	5.36	97110010	DRIS1-CP	43
		3	230/460	1/2	1.90	-	3.1	1.4	4.70	97113005	DRIS05-CP-T	35
				3/4	1.65	-	3.6	1.7	5.00	97113007	DRIS07-CP-T	38
				1	1.65	-	4.7	2.3	5.36	97113010	DRIS1-CP-T	40

Volute	CI	Cast Iron, ASTM-A48, Class 30, 1-1/4" x 1"
Impeller	PL	Polyphenylene Ether Polystyrene Modified (PPE+PS 30%GF)
Mechanical Seal Types	1	Phenolic x Ceramic x Nitrile x SS
Motor Configurations	48Y	Square Flange with 1/2" threaded SS shaft, impeller mounts directly on motor shaft

CENTRIFUGAL PUMPS

CLOSE-COUPLED DR SERIES

MENU

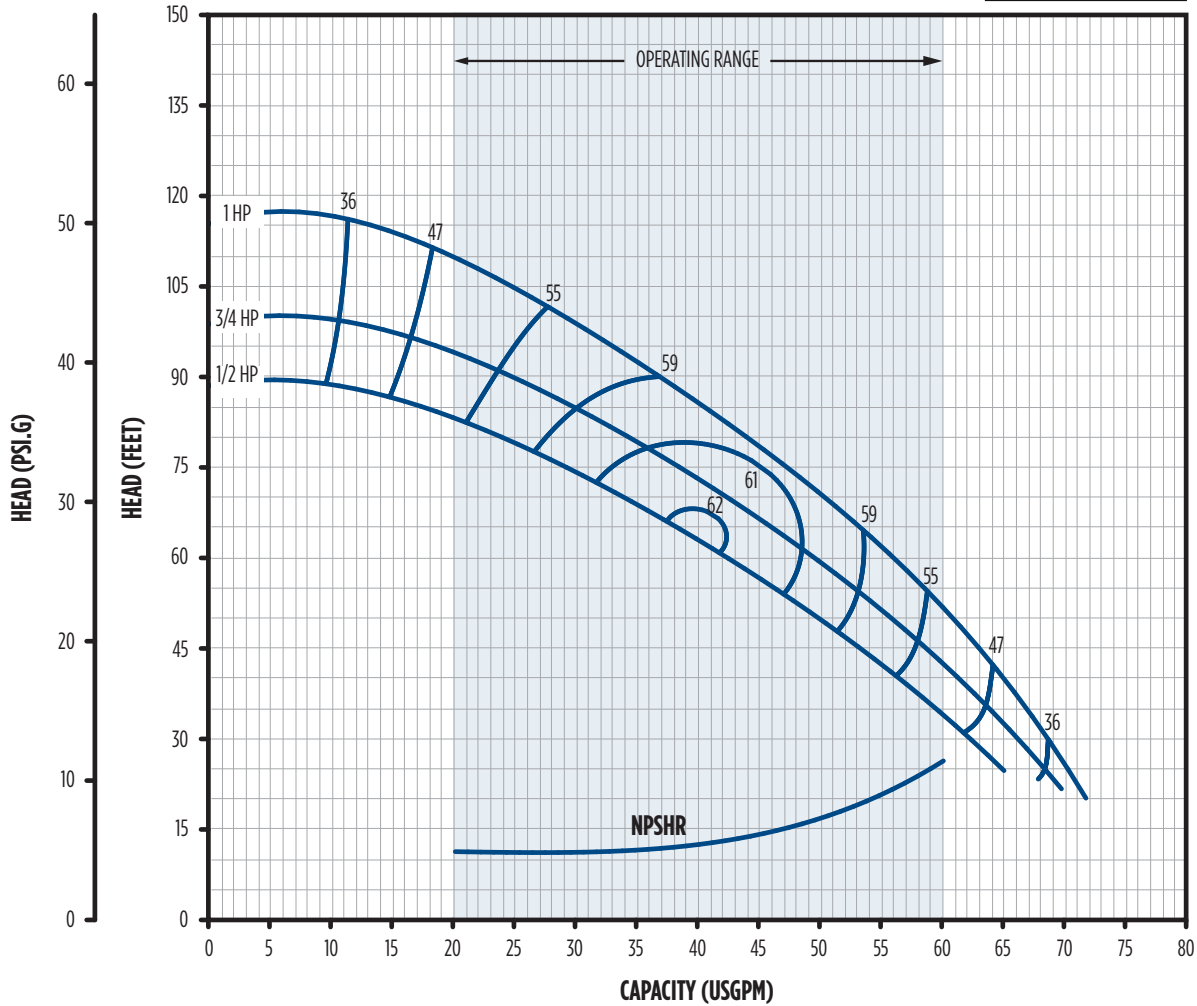


PERFORMANCE

DRIS-SP

PEI_{CL} Number

0.87



DRIS-SP	HP	PEI	Volute	Impeller	Seal Type	Fluid Max °F	Capacity in GPM at Total Feet of Head Indicated										Max (PSI)
							30	40	50	60	70	80	90	100	110	120	
DRIS05-SP	1/2	0.87	SS	PL	1	120	61.4	55.9	49.7	42.7	34.5	-	-	-	-	-	38.4
DRIS07-SP	3/4	0.87	SS	PL	1	120	65.7	60.6	55.2	49.1	42.2	33.9	23.0	-	-	-	42.8
DRIS1-SP	1	0.87	SS	PL	1	120	-	65.4	60.6	55.4	49.8	43.7	36.9	28.9	-	-	50.1

Enclosure	RPM	Phase	Voltage	HP	S.F.	S.F. Amps			Imp. Dia.	Order No.	Model No.	Wt. (lbs)
						115	230	460				
ODP	3600	1	115/230	1/2	1.90	12.4	6.1	-	4.70	97110105	DRIS05-SP	35
				3/4	1.65	14.8	7.3	-	5.00	97110107	DRIS07-SP	38
				1	1.65	19.9	9.9	-	5.36	97110110	DRIS1-SP	42
		3	230/460	1/2	1.90	-	3.1	1.4	4.70	97113105	DRIS05-SP-T	34
				3/4	1.65	-	3.6	1.7	5.00	97113107	DRIS07-SP-T	37
				1	1.65	-	4.7	2.3	5.36	97113110	DRIS1-SP-T	39

Volute	SS	Stainless steel, 1-1/4" x 1"
Impeller	PL	Polyphenylene Ether Polystyrene Modified (PPE+PS 30%GF)
Mechanical Seal Types	1	Phenolic x Ceramic x Nitrile x SS
Motor Configurations	48Y	Square Flange with 1/2" threaded SS shaft, impeller mounts directly on motor shaft

CENTRIFUGAL PUMPS

CLOSE-COUPLED DR SERIES

MENU

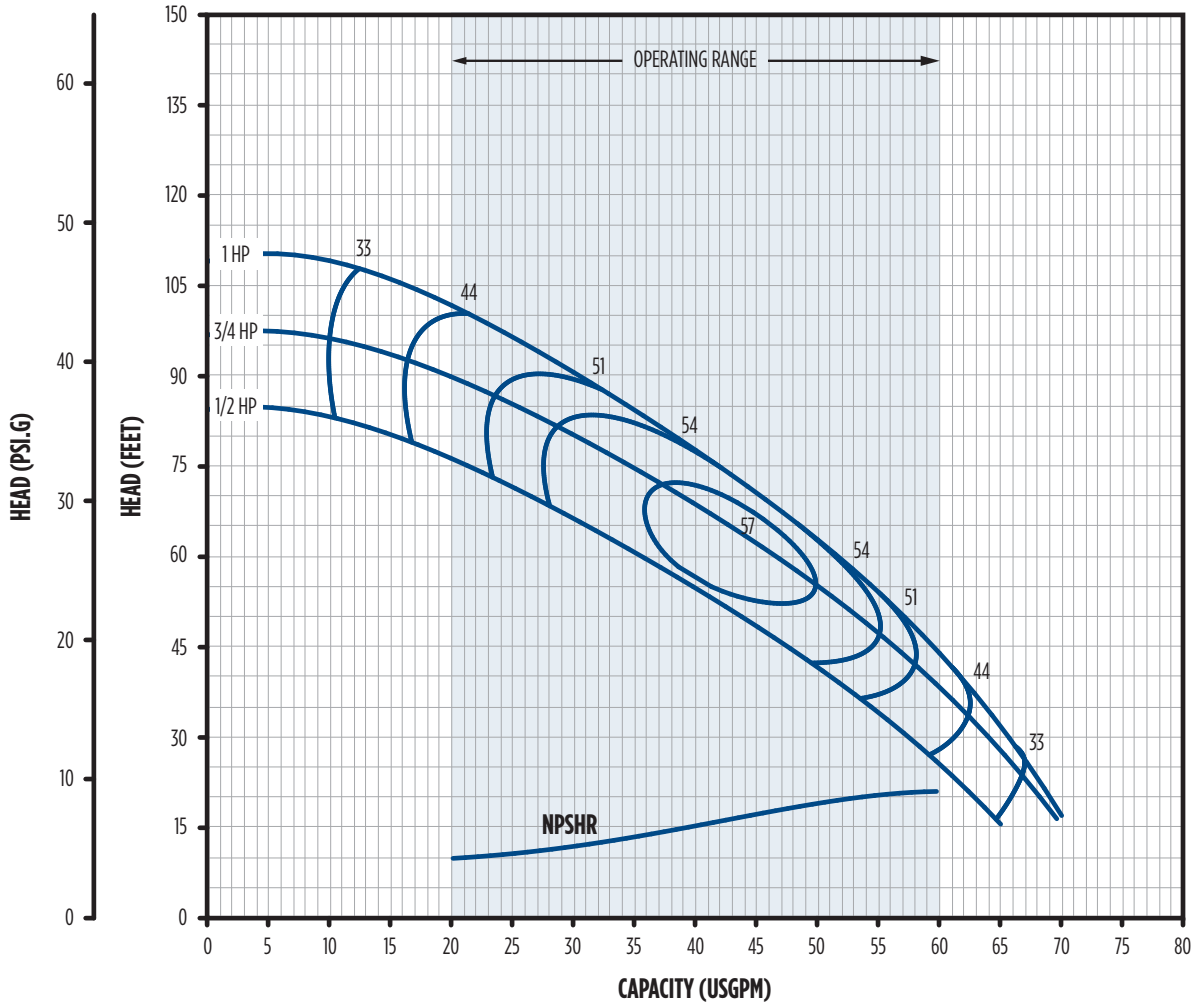


PERFORMANCE

DRIC-CP

PEI_{CL} Number

0.96



DRIC-CP	HP	PEI	Volute	Impeller	Seal Type	Fluid Max °F	Capacity in GPM at Total Feet of Head Indicated										Max (PSI)
							30	40	50	60	70	80	90	100	110	120	
DRIC05-CP	1/2	0.96	CI	PL	2	120	57.1	51.0	44.1	36.2	26.5	-	-	-	-	-	36.6
DRIC07-CP	3/4	0.96	CI	PL	2	120	63.7	58.5	52.9	46.6	39.4	30.8	18.9	-	-	-	42.0
DRIC1-CP	1	0.96	CI	PL	2	120	-	62.1	56.9	51.3	45.2	38.4	30.7	21.4	-	-	47.3

Enclosure	RPM	Phase	Voltage	HP	S.F.	S.F. Amps			Imp. Dia.	Order No.	Model No.	Wt. (lbs)
						115	230	460				
ODP	3600	1	115/230	1/2	1.60	11.8	5.9	-	4.70	97150005	DRIC05-CP	43
				3/4	1.50	14.8	7.4	-	5.00	97150007	DRIC07-CP	45
				1	1.40	16.8	8.4	-	5.36	97150010	DRIC1-CP	49

Volute	CI	Cast Iron, ASTM-A48, Class 30, 1-1/4" x 1"
Impeller	PL	Polyphenylene Ether Polystyrene Modified (PPE+PS 30%GF)
Mechanical Seal Types	2	GL-SiC x GL-SiC x FKM x SS
Motor Configurations	56C	Round flange - keyed shaft, impeller mounts to shaft coupling with 1/2" threads

CENTRIFUGAL PUMPS

CLOSE-COUPLED DR SERIES

MENU

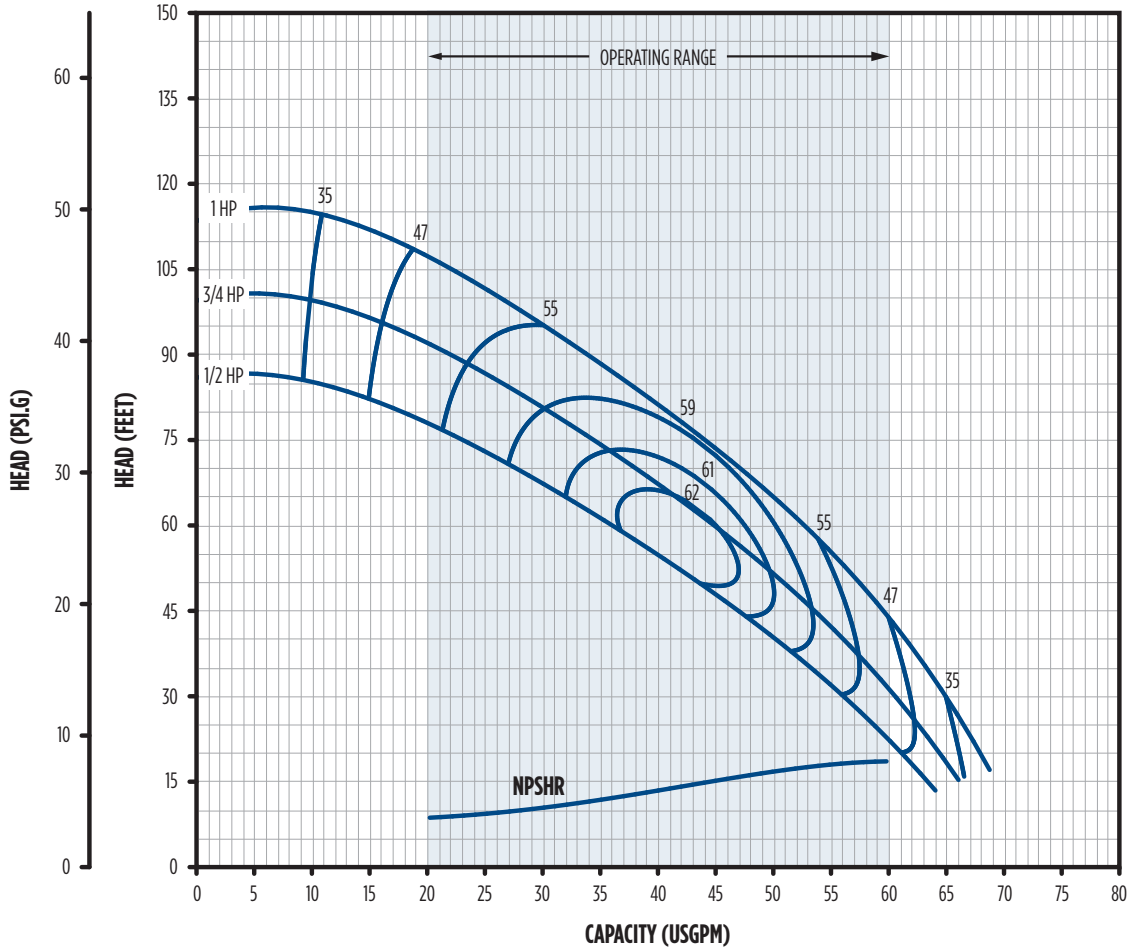


PERFORMANCE

DRIC-SS

PEI_{CL} Number

0.82



DRIC-SS	HP	PEI	Volute	Impeller	Seal Type	Fluid Max °F	Capacity in GPM at Total Feet of Head Indicated										Max (PSI)
							30	40	50	60	70	80	90	100	110	120	
DRIC05-SS	1/2	0.82	SS	SS	2	180	55.8	50.1	43.8	36.7	28.0	-	-	-	-	-	37.3
DRIC07-SS	3/4	0.82	SS	SS	2	180	60.9	55.9	50.6	44.7	38.2	30.8	21.9	-	-	-	43.2
DRIC1-SS	1	0.82	SS	SS	2	180	-	61.8	57.2	52.2	46.8	40.9	34.3	26.5	-	-	49.2

Enclosure	RPM	Phase	Voltage	HP	S.F.	S.F. Amps				Imp. Dia.	Order No.	Model No.	Wt. (lbs)
						115	230	460	575				
ODP	3600	1	115/230	1/2	1.60	11.8	5.9	-	-	4.70	97150305	DRIC05-SS	43
				3/4	1.50	14.8	7.4	-	-	5.00	97150307	DRIC07-SS	45
				1	1.40	16.8	8.4	-	-	5.36	97150310	DRIC1-SS	49
TEFC	3600	1	115/230	3/4	1.15	10.8	5.4	-	-	4.70	97151305	DRIC05-SS-SE	52
				1	1.15	13.8	6.9	-	-	5.00	97151307	DRIC07-SS-SE	54
				1-1/2	1.15	18.4	9.2	-	-	5.36	97151310	DRIC1-SS-SE	63
		3	230/460	3/4	1.15	-	2.6	1.3	-	4.70	97154305	DRIC05-SS-TE	53
				1	1.15	-	3.2	1.6	-	5.00	97154307	DRIC07-SS-TE	56
				1-1/2	1.15	-	5.2	2.6	-	5.36	97154310	DRIC1-SS-TE	60
		3	575	3/4	1.15	-	-	-	0.8	4.70	97155305	DRIC05-SS-T5E	53
				1	1.15	-	-	-	1.3	5.00	97155307	DRIC07-SS-T5E	56
				1-1/2	1.15	-	-	-	1.9	5.36	97155310	DRIC1-SS-T5E	60

Volute	SS	Stainless steel
Impeller	SS	Stainless steel
Mechanical Seal Types	2	GL-SiC x GL-SiC x FKM x SS
Motor Configurations	56C	Round flange - keyed shaft, impeller mounts to shaft coupling with 1/2" threads

CENTRIFUGAL PUMPS

CLOSE-COUPLED DR SERIES

MENU

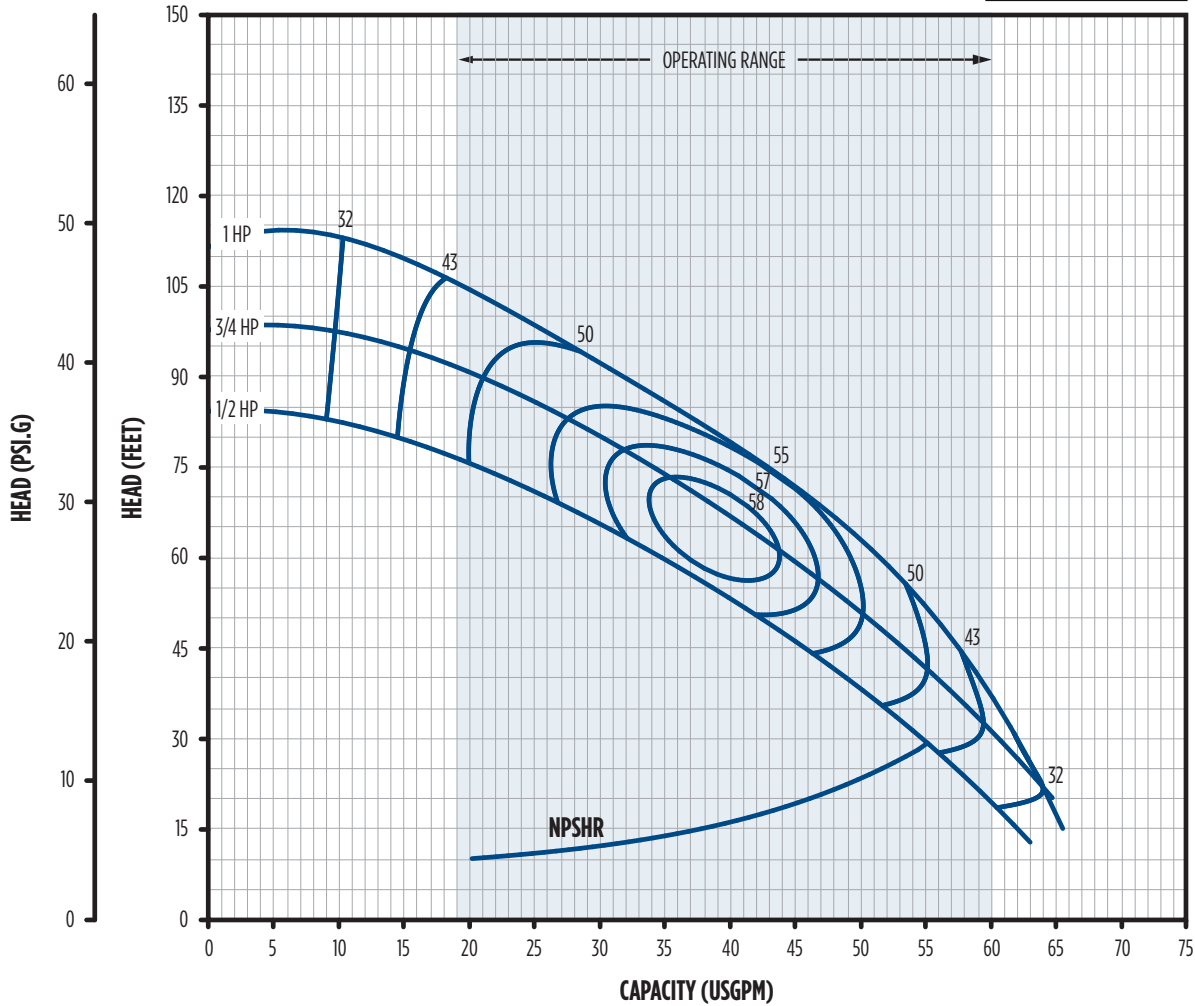


PERFORMANCE

DR1J-CS

PEI_{CL} Number

0.91



DR1J-CS	HP	PEI	Volute	Impeller	Seal Type	Fluid Max °F	Capacity in GPM at Total Feet of Head Indicated										Max (PSI)
							30	40	50	60	70	80	90	100	110	120	
DR1J05-CS	1/2	1.00	CI	SS	2	160	54.7	48.8	42.2	34.8	25.9	-	-	-	-	-	36.5
DR1J07-CS	3/4	1.00	CI	SS	2	160	60.4	55.7	50.5	44.8	38.2	30.4	20.0	-	-	-	42.4
DR1J1-CS	1	1.00	CI	SS	2	160	-	58.3	54.3	50.0	45.2	39.8	33.4	25.2	-	-	48.4

Enclosure	RPM	Phase	Voltage	HP	S.F.	S.F. Amps			Imp. Dia.	Order No.	Model No.	Wt. (lbs)
						115	230	460				
ODP	3600	1	115/230	1/2	1.60	11.8	5.9	-	4.70	97120205	DR1J05-CS	39
				3/4	1.50	14.8	7.4	-	5.00	97120207	DR1J07-CS	41
				1	1.40	16.2	8.1	-	5.36	97120210	DR1J1-CS	44
		3	230/460	1/2	1.60	-	2.7	1.4	4.70	97123205	DR1J05-CS-T	38
				3/4	1.50	-	3.4	1.7	5.00	97123207	DR1J07-CS-T	41
				1	1.40	-	4.0	2.0	5.36	97123210	DR1J1-CS-T	44

Volute	CI	Cast Iron, ASTM-A48, Class 30, 1-1/4" x 1"
Impeller	SS	Stainless steel
Mechanical Seal Types	2	GL-SiC x GL-SiC x FKM x SS
Motor Configurations	56J	Round flange with 7/16" threaded shaft, impeller mounts directly on motor shaft

CENTRIFUGAL PUMPS

CLOSE-COUPLED DR SERIES

MENU

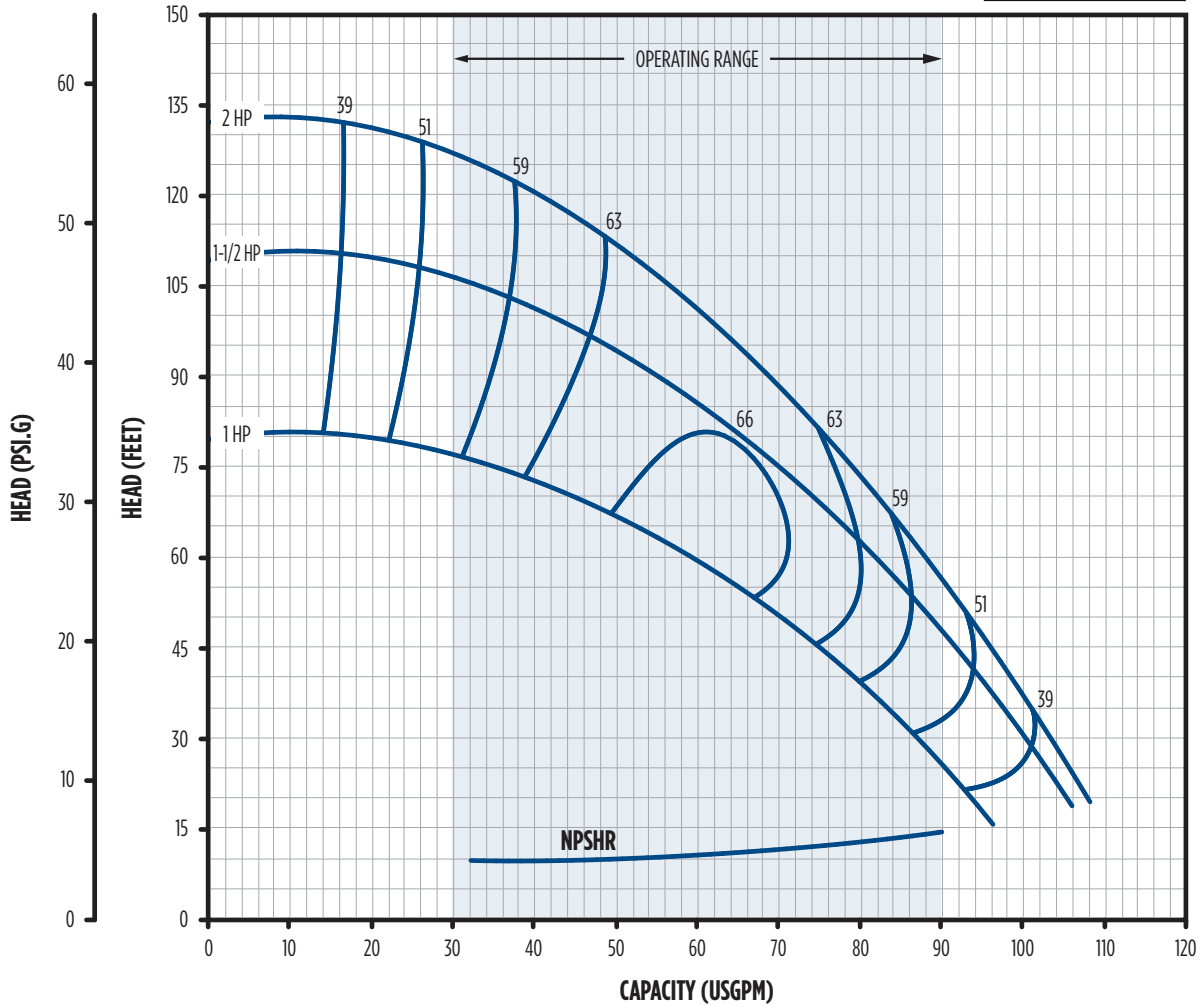


PERFORMANCE

DR2S-CS

PEI_{CL} Number

0.83



DR2S-CS	HP	PEI	Volute	Impeller	Seal Type	Fluid Max °F	Capacity in GPM at Total Feet of Head Indicated									Max (PSI)	
							30	40	50	60	70	80	90	100	110		120
DR2S1-CS	1	0.83	CI	SS	1	120	86.6	78.7	69.8	59.2	45.4	-	-	-	-	-	34.5
DR2S15-CS	1-1/2	0.83	CI	SS	1	120	-	94.3	88.1	81.4	73.9	65.5	55.4	42.4	-	-	47.4
DR2S2-CS	2	0.83	CI	SS	1	120	-	-	93.3	87.8	82.0	75.7	68.8	61.0	51.9	40.5	57.3

Enclosure	RPM	Phase	Voltage	HP	S.F.	S.F. Amps			Imp. Dia.	Order No.	Model No.	Wt. (lbs)
						115	230	460				
ODP	3600	1	115/230	1	1.65	19.9	9.9	-	4.56	97130210	DR2S1-CS	46
				1-1/2	1.47	24.0	12.1	-	5.25	97130215	DR2S15-CS	46
			2	1.30	-	11.2	-	5.75	97130220	DR2S2-CS	54	
		3	230/460	1	1.65	-	4.7	2.3	4.56	97133210	DR2S1-CS-T	43
				1-1/2	1.47	-	6.8	3.3	5.25	97133215	DR2S15-CS-T	47
				2	1.30	-	8.5	4.2	5.75	97133220	DR2S2-CS-T	49

Volute	CI	Cast Iron, ASTM-A48, Class 30, 1-1/2" x 1-1/4"
Impeller	SS	Stainless Steel
Mechanical Seal Types	1	Phenolic x Ceramic x Nitrile x SS
Motor Configurations	48Y	Square Flange with 1/2" threaded SS shaft, impeller mounts directly on motor shaft

CENTRIFUGAL PUMPS

CLOSE-COUPLED DR SERIES

MENU

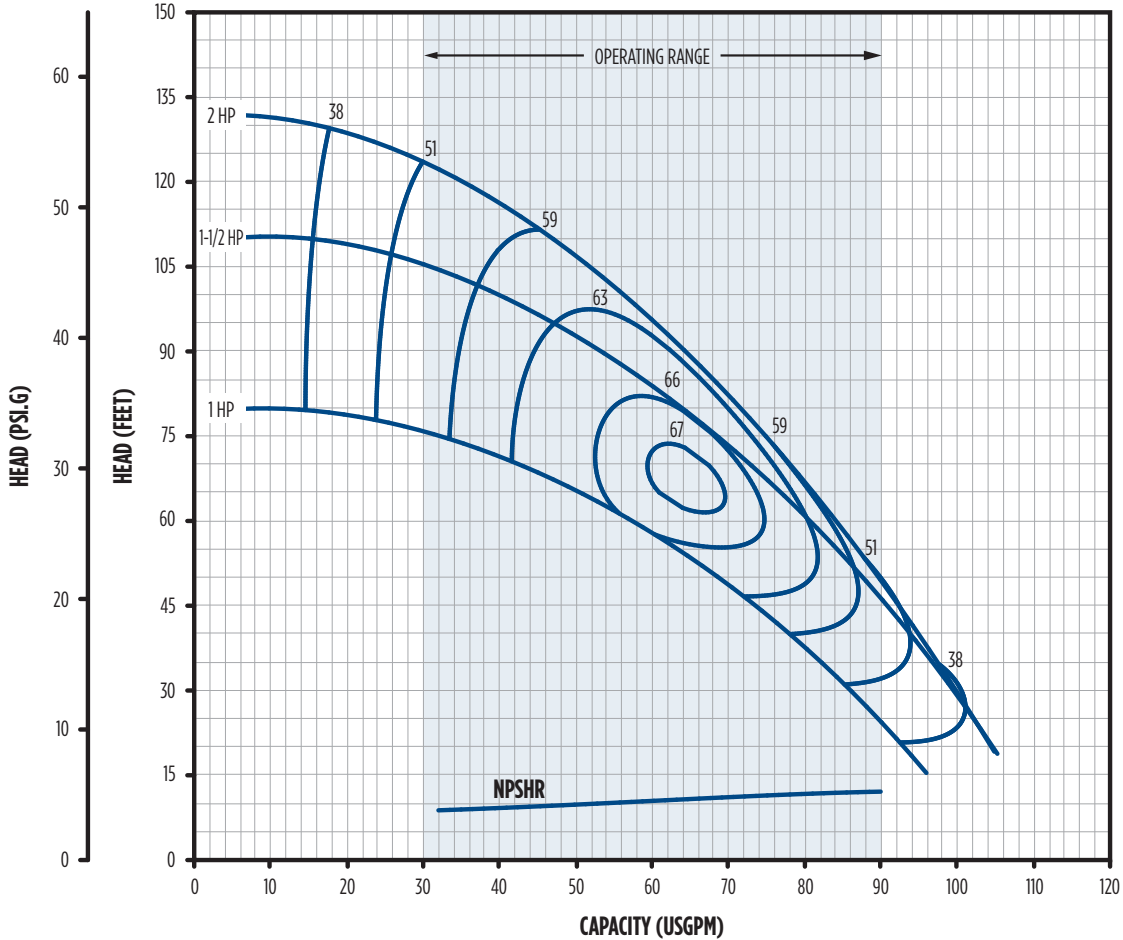


PERFORMANCE

DR2C-CS

PEI_c Number

0.90



DR2C-CS	HP	PEI	Volute	Impeller	Seal Type	Fluid Max °F	Capacity in GPM at Total Feet of Head Indicated										Max (PSI)
							30	40	50	60	70	80	90	100	110	120	
DR2C1-CS	0.9	CI	SS	2	180	56C	86	78	68	57	43	-	-	-	-	-	34
DR2C15-CS	0.9	CI	SS	2	180	56C	-	93	87	80	73	64	54	40	-	-	47
DR2C2-CS	0.9	CI	SS	2	180	56C	-	-	90	84	78	72	64	56	47	35	57

Enclosure	RPM	Phase	Voltage	HP	S.F.	S.F. Amps				Imp. Dia.	Order No.	Model No.	Wt. (lbs)	
						115	230	460	575					
ODP	3600	1	115/230	1	1.40	16.2	8.1	-	-	4.56	97160210	DR2C1-CS	46	
				1-1/2	1.30	21.4	10.7	-	-	5.25	97160215	DR2C15-CS	55	
				2	1.40	-	12.9	-	-	5.75	97160220	DR2C2-CS	54	
TEFC	3600	1	115/230	1-1/2	1.25	18.4	9.2	-	-	4.56	97161210	DR2C1-CS-SE	60	
				2	1.15	-	10.0	-	-	5.25	97161215	DR2C15-CS-SE	69	
				3	1.15	-	14.6	-	-	5.75	97161220	DR2C2-CS-SE	70	
				1-1/2	1.15	-	5.2	2.6	-	4.56	97164210	DR2C1-CS-TE	57	
				2	1.15	-	6.0	3.0	-	5.25	97164215	DR2C15-CS-TE	67	
				3	1.15	-	7.7	3.9	-	5.75	97164220	DR2C2-CS-TE	71	
		3	575	230/460	1-1/2	1.25	-	-	-	1.9	4.56	97165210	DR2C1-CS-T5E	57
					2	1.25	-	-	-	2.4	5.25	97165215	DR2C15-CS-T5E	67
					3	1.25	-	-	-	3.6	5.75	97165220	DR2C2-CS-T5E	71

Volute	CI	Cast Iron, ASTM-A48, Class 30, 1-1/2" x 1-1/4"
Impeller	SS	Stainless Steel
Mechanical Seal Types	2	GL-SiC x GL-SiC x FKM x SS
Motor Configurations	56C	Round flange - keyed shaft, impeller mounts to shaft coupling with 1/2" threads

CENTRIFUGAL PUMPS

CLOSE-COUPLED DR SERIES

MENU

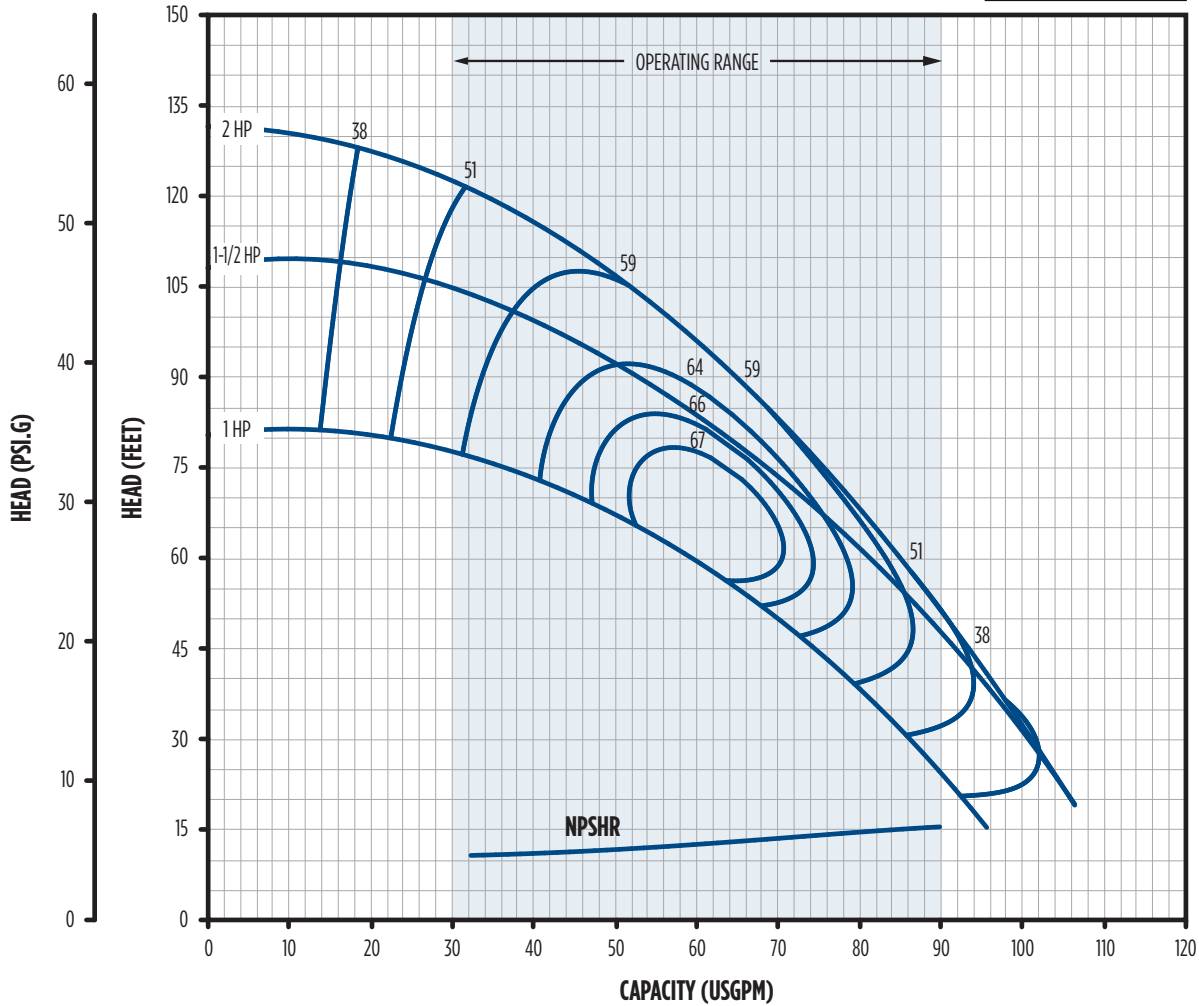


PERFORMANCE

DR2J-CS

PEI_{CL} Number

0.93



DR2J-CS	HP	PEI	Volute	Impeller	Seal Type	Fluid Max °F	Capacity in GPM at Total Feet of Head Indicated										Max (PSI)
							30	40	50	60	70	80	90	100	110	120	
DR2J1-CS	1	0.93	CI	SS	2	160	86.0	78.4	69.8	59.6	46.4	-	-	-	-	-	34.9
DR2J15-CS	1-1/2	0.93	CI	SS	2	160	-	94.9	88.3	81.1	73.1	64.1	53.3	39.3	-	-	47.0
DR2J2-CS	2	0.93	CI	SS	2	160	-	-	90.8	85.1	78.9	72.2	64.9	56.5	46.7	34.2	57.1

Enclosure	RPM	Phase	Voltage	HP	S.F.	S.F. Amps			Imp. Dia.	Order No.	Model No.	Wt. (lbs)
						115	230	460				
ODP	3600	1	115/230	1	1.40	16.2	8.1	-	4.56	97140210	DR2J1-CS	46
				1-1/2	1.30	21.4	10.7	-	5.25	97140215	DR2J15-CS	55
			2	1.40	-	12.9	-	5.75	97140220	DR2J2-CS	54	
		3	230/460	1	1.40	-	4.0	2.0	4.56	97143210	DR2J1-CS-T	46
				1-1/2	1.30	-	6.8	3.4	5.25	97143215	DR2J15-CS-T	50
			2	1.30	-	8.5	4.2	5.75	97133220	DR2S2-CS-T	49	

Volute	CI	Cast Iron, ASTM-A48, Class 30, 1-1/2" x 1-1/4"
Impeller	SS	Stainless Steel
Mechanical Seal Types	2	GL-SiC x GL-SiC x FKM x SS
Motor Configurations	56J	Round flange with 7/16" threaded shaft, impeller mounts directly on motor shaft

CENTRIFUGAL PUMPS

CLOSE-COUPLED DR SERIES

☰ MENU



MATERIALS AND PARTS

DRIS/DR2S - SQUARE FLANGE

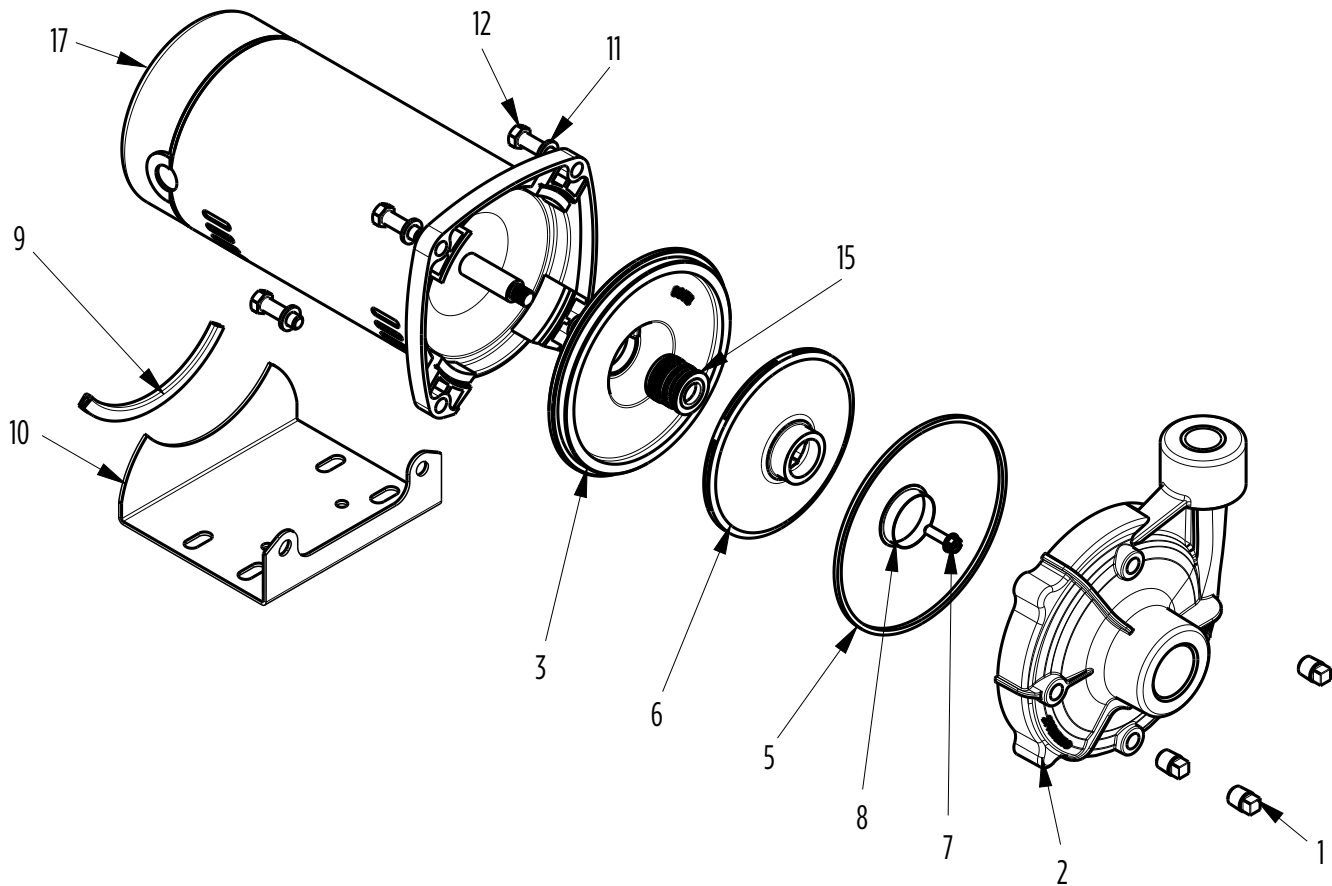


Fig. No.	Part Description	Order No.		
		DRIS-CP	DRIS-SP	DR2S-CS
1,2	Volute, Includes Pipe Plugs	305617102	305617101	305617201
3	Seal Plate	305617104	305617103	305617104
5	Volute Case Square Ring		305373907	
6,8	Impeller & Wear Ring 1/2 HP		305617106	-
6,8	Impeller & Wear Ring 3/4 HP		305617107	-
6,8	Impeller & Wear Ring 1 HP		305617108	305617202
6,8	Impeller & Wear Ring 1-1/2 HP	-	-	305617203
6,8	Impeller & Wear Ring 2 HP	-	-	305617204
7	Impeller Bolt 1/4-20-0.88 L.H. THD. 3-PH		305373910	
8	Wear Ring		305373906	305617208
9	Base Protector		305373905	
9,10	Base, Includes Protector		305373904	
1,11,12	Hardware Kit		305617001	
11	Lockwasher 3/8" (qty. 4)		See Hardware Kit	
12	Bolt 3/8"X L.25" (qty. 4)			
15	Shaft Seal		305421907	
17	Motor (See Motor Specifications)		Square Flange	

CENTRIFUGAL PUMPS

CLOSE-COUPLED DR SERIES

MENU



MATERIALS AND PARTS

DR1J/DR2J - 56J FRAME

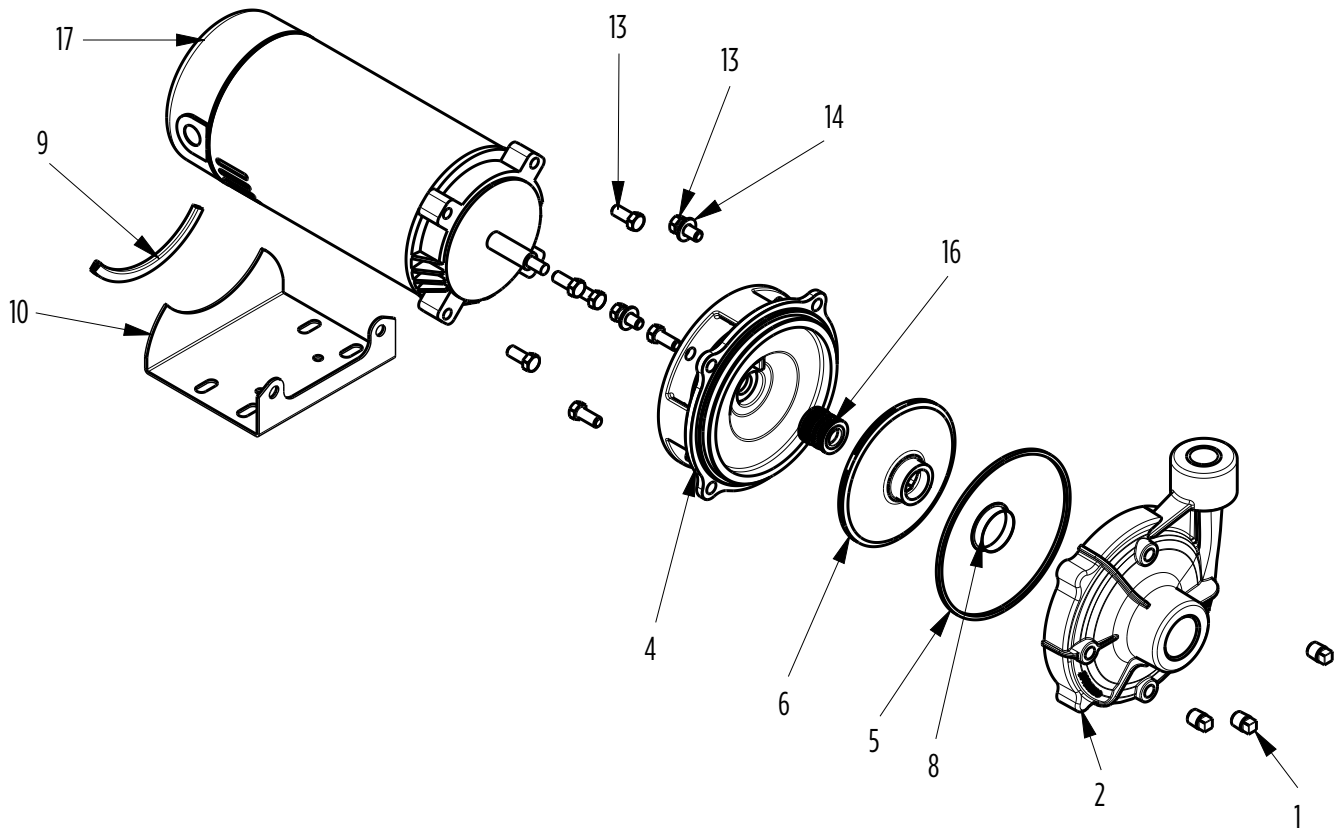


Fig. No.	Part Description	Order No.	
		DR1J-CS	DR2J-CS
1,2	Volute, Includes Pipe Plugs	305617102	305617201
4	Bracket 56J	305617105	
5	Volute Case Square Ring	305373908	
6,8	Impeller & Wear Ring 1/2 HP	305617109	-
6,8	Impeller & Wear Ring 3/4 HP	305617110	-
6,8	Impeller & Wear Ring 1 HP	305617111	305617205
6,8	Impeller & Wear Ring 1-1/2 HP	-	305617206
6,8	Impeller & Wear Ring 2 HP	-	305617207
8	Wear Ring	305373906	305617208
9	Base Protector	305373905	
9,10	Base, Includes Protector	305373904	
1,13,14	Hardware Kit	305617002	
13	Bolt 3/8" x 0.88" (qty. 8)	See Hardware Kit	
14	Washer 3/8" (qty. 2)		
16	Shaft Seal	305421004	
17	Motor (See Motor Specifications)	56J	

CENTRIFUGAL PUMPS

CLOSE-COUPLED DR SERIES

MENU



MATERIALS AND PARTS

DRIC/DR2C - 56C FRAME

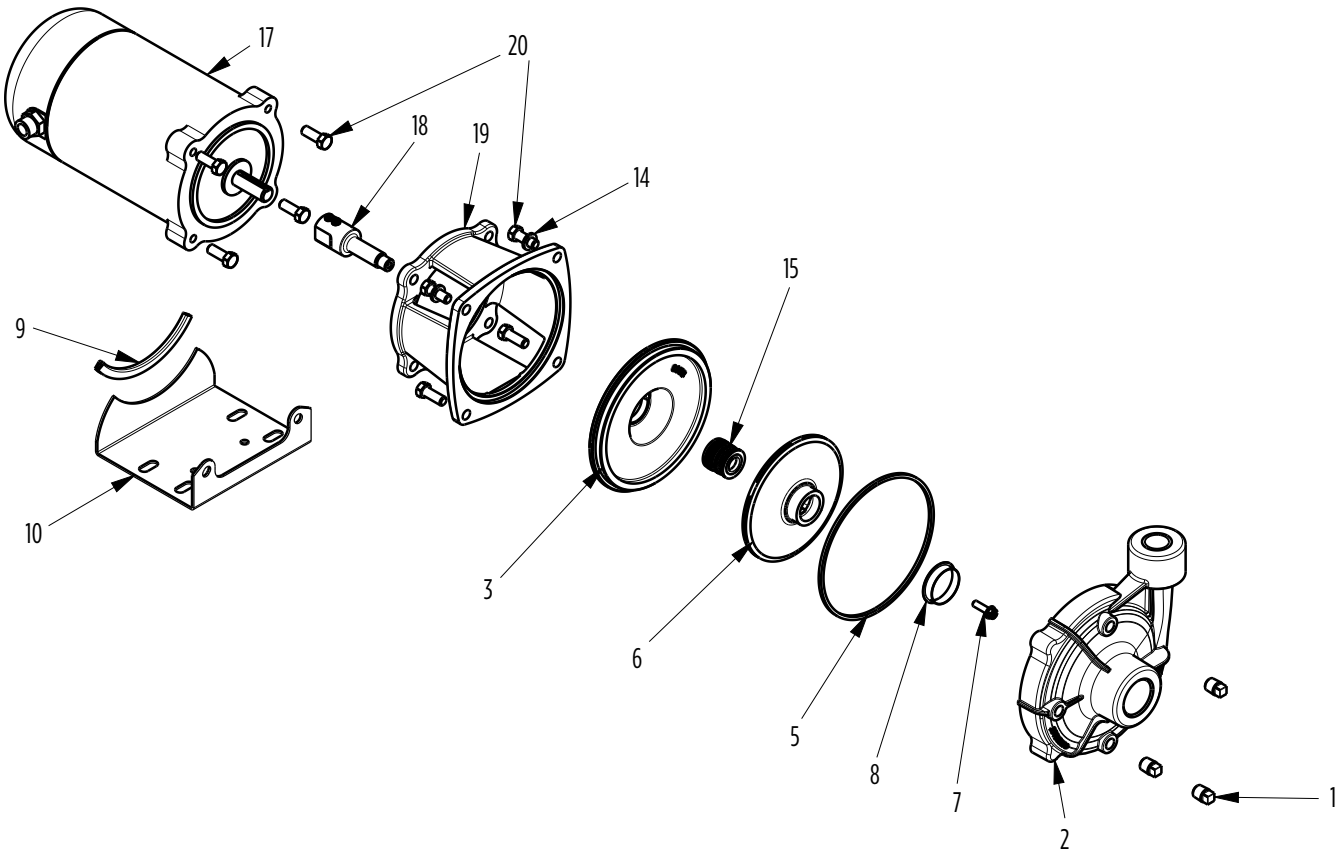


Fig. No.	Part Description	Order No.		
		DRIC-SS	DRIC-CP	DR2C-CS
1, 2	Volute, Includes Pipe Plugs	305617101	305617102	305617201
3	Seal Plate	305617103	305617104	
5	Square Ring	305373908	305373907	305373908
6, 8	Impeller & Wear Ring 1/2 HP	305617115	305617112	-
6, 8	Impeller & Wear Ring 3/4 HP	305617116	305617113	-
6, 8	Impeller & Wear Ring 1 HP	305617117	305617114	305617202
6, 8	Impeller & Wear Ring 1-1/2 HP	-	-	305617203
6, 8	Impeller & Wear Ring 2 HP	-	-	305617204
7	Impeller Bolt 1/4-20-0.88 L.H. THD. 3-PH	305373910		
8	Wear Ring	305373906		305617208
9	Base Protector	305373905		
9, 10	Base, Includes Protector	305373904		
14, 18, 19, 20	56C/48Y Conversion Kit	305373909		
1, 14, 20	Hardware Kit	305617003		
14	Washer 3/8" (qty. 2)	See Hardware Kit		
15	Shaft Seal	305421004	305421907	305421004
17	Motor (See Motor Specifications)	56C		
18	Coupling SS (Includes Set Screws)	305373916		
19	Motor Bracket	305373915		
20	Bolt 3/8" x 1.00" (qty. 8)	See Hardware Kit		

CENTRIFUGAL PUMPS

CLOSE-COUPLED DR SERIES

☰ MENU



MOTORS

3600 RPM Open Drip Proof - DRIS/DR2S							
Frame	Enclosure	Phase	HP	Volts	SF	Max or SF Amps	Motor Order No.
48Y Square Flange Thrd 1/2"	ODP	1	1/2	115/230	1.90	12.4/6.1	305374903
			3/4	115/230	1.65	14.8/7.3	305374906
			1	115/230	1.65	19.9/9.94	305374907
			1-1/2	115/230	1.47	24.0/12.1	305374909
			2	230	1.30	11.2	305446959
		3	1/2	230/460	1.90	3.1/1.4	305374954
			3/4	230/460	1.65	3.6/1.7	305374955
			1	230/460	1.65	4.7/2.34	305374956
			1-1/2	230/460	1.47	6.8/3.3	305374957
			2	230/460	1.30	8.5/4.24	305374958

3600 RPM Open Drip Proof - DR1J/DR2J							
Frame	Enclosure	Phase	HP	Volts	SF	Max or SF Amps	Motor Order No.
56J Round Flange Thrd 7/16"	ODP	1	1/2	115/230	1.6	11.8/5.9	305374914
			3/4	115/230	1.5	14.8/7.4	305374913
			1	115/230	1.4	16.2/8.1	305398901
			1-1/2	115/230	1.3	21.4/10.7	305398902
			2	230	1.4	12.9	305398903
		3	1/2	230/460	1.6	2.7/1.35	305374961
			3/4	230/460	1.5	3.4/1.7	305374962
			1	230/460	1.4	4.0/2.0	305398904
			1-1/2	230/460	1.3	6.8/3.4	305398905
			2	230/460	1.2	8.6/4.3	305398906

3600 RPM - DR1C/DR2C								
Frame	Enclosure	Phase	HP	Volts	SF	Max or SF Amps	Motor Order No.	
56C Round Flange Keyed 5/8"	ODP	1	1/2	115/230	1.60	11.8/5.9	90102294R000	
			3/4	115/230	1.50	14.8/7.4	90102302R000	
			1	115/230	1.40	16.8/8.4	90102310R000	
			1-1/2	115/230	1.30	18.4/9.1	305374964	
			2	115/230	1.21	22.2/12.2	305374965	
		TEFC	1	3/4	115/208-230	1.15	10.8/5.7-5.4	EC06
				1	115/208-230	1.15	13.8/7.2-6.9	EC09
				1-1/2	115/208-230	1.15	18.4/10.3-9.2	EC11
				2	208-230	1.15	11.0-10.0	EC13
				3	208-230	1.15	15.8-14.6	EC16B
	3		3/4	208-230/460	1.25	2.6/1.3	U34SIACR	
			1	208-230/460	1.25	3.6-3.2/1.6	UIPIDCR	
			1-1/2	208-230/460	1.25	4.9-5.2/2.6	T32PIACR	
			2	208-230/460	1.15	7.1-6.0/3.0	T2PIACR	
	3	3	208-230/460	1.15	7.7/3.9	T3PIACR		
		3/4	575	1.25	0.8	U34PIGCR		
		1	575	1.25	1.3	UIPIGCR		
		1-1/2	575	1.25	1.9	U32PIGFCR		
		2	575	1.25	2.4	U2PIGFCR		
	3	575	1.25	3.6	U3PIGFCR			

CENTRIFUGAL PUMPS

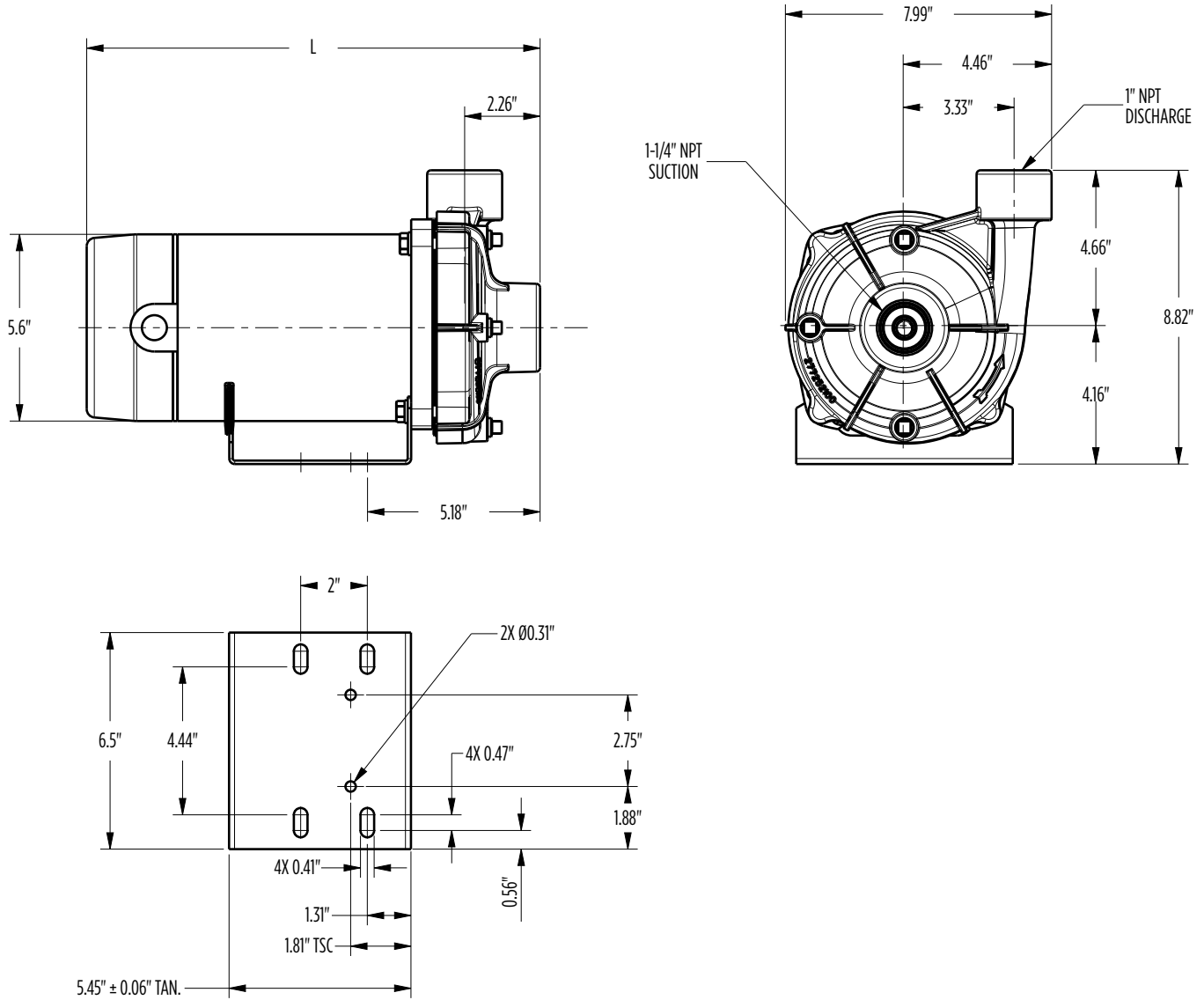
CLOSE-COUPLED DR SERIES

MENU



DIMENSIONS

DRIS SQUARE FLANGE



Model	HP	PH	L (in)	Suction	Discharge	Drain Ports (3)
DRIS05	1/2	1	13.61	1-1/4" NPT	1" NPT	1/4"
DRIS07	3/4		14.23			
DRIS1	1		15.11			
DRIS05	1/2	3	13.08	1-1/4" NPT	1" NPT	1/4"
DRIS07	3/4		13.73			
DRIS1	1		14.08			

CENTRIFUGAL PUMPS

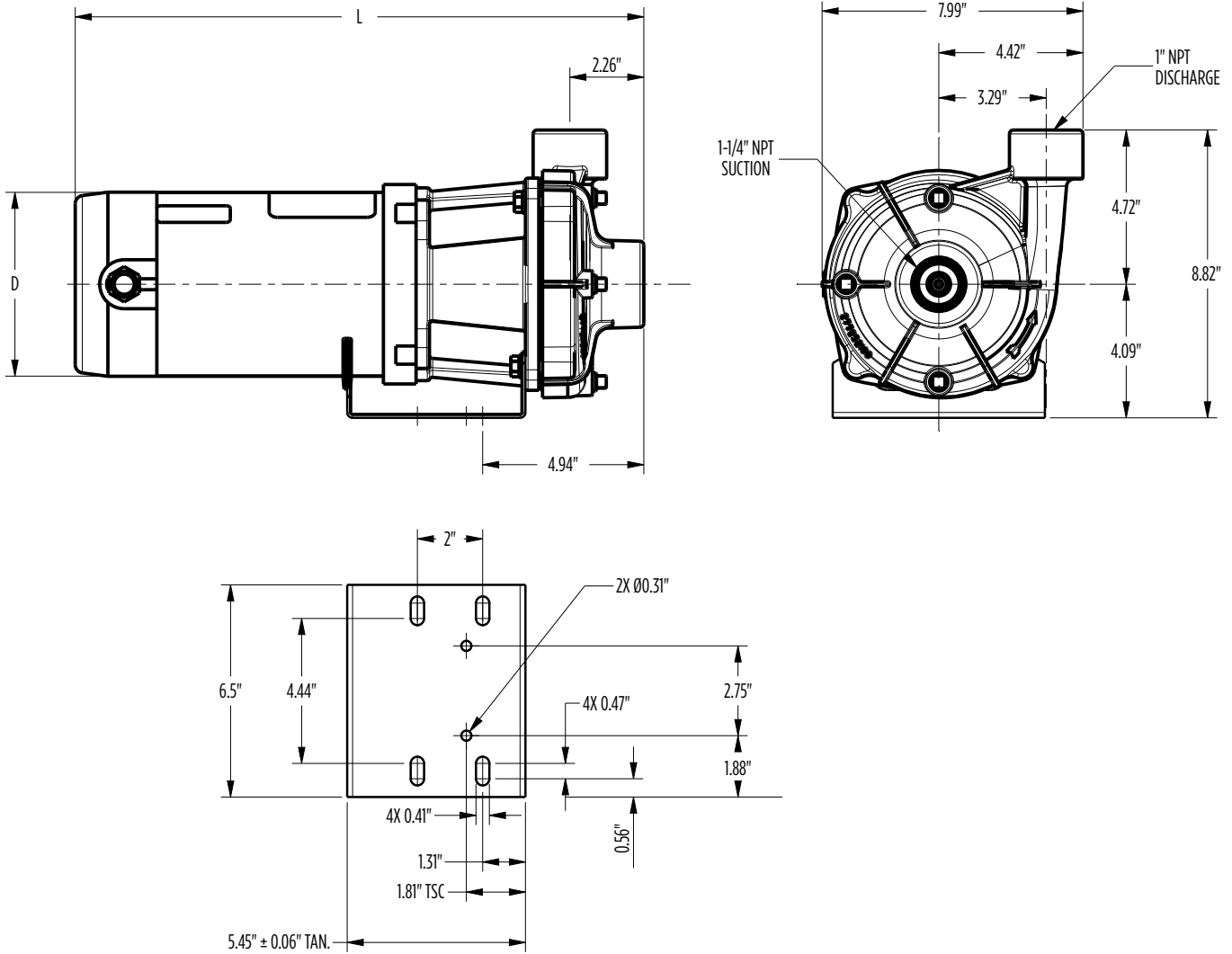
CLOSE-COUPLED DR SERIES

☰ MENU



DIMENSIONS

DR1C 56C FRAME



Model	HP	PH	Enclosure	L (in)	D (in)	Suction	Discharge	Drain Ports (3)
DR1C05	1/2	1	ODP	17.42	5.63	1-1/4" NPT	1" NPT	1/4"
DR1C07	3/4			17.82				
DR1C1	1			18.42				
DR1C05	3/4	1	TEFC	16.77	7.31	1-1/4" NPT	1" NPT	1/4"
DR1C07	1			17.02				
DR1C1	1-1/2			17.52				
DR1C05	3/4	3	TEFC	15.73	7.31	1-1/4" NPT	1" NPT	1/4"
DR1C07	1			17.98				
DR1C1	1-1/2			17.23				
DR1C05	3/4	3 - 575v	TEFC	16.98	7.31	1-1/4" NPT	1" NPT	1/4"
DR1C07	1			17.98				
DR1C1	1-1/2			17.98				

CENTRIFUGAL PUMPS

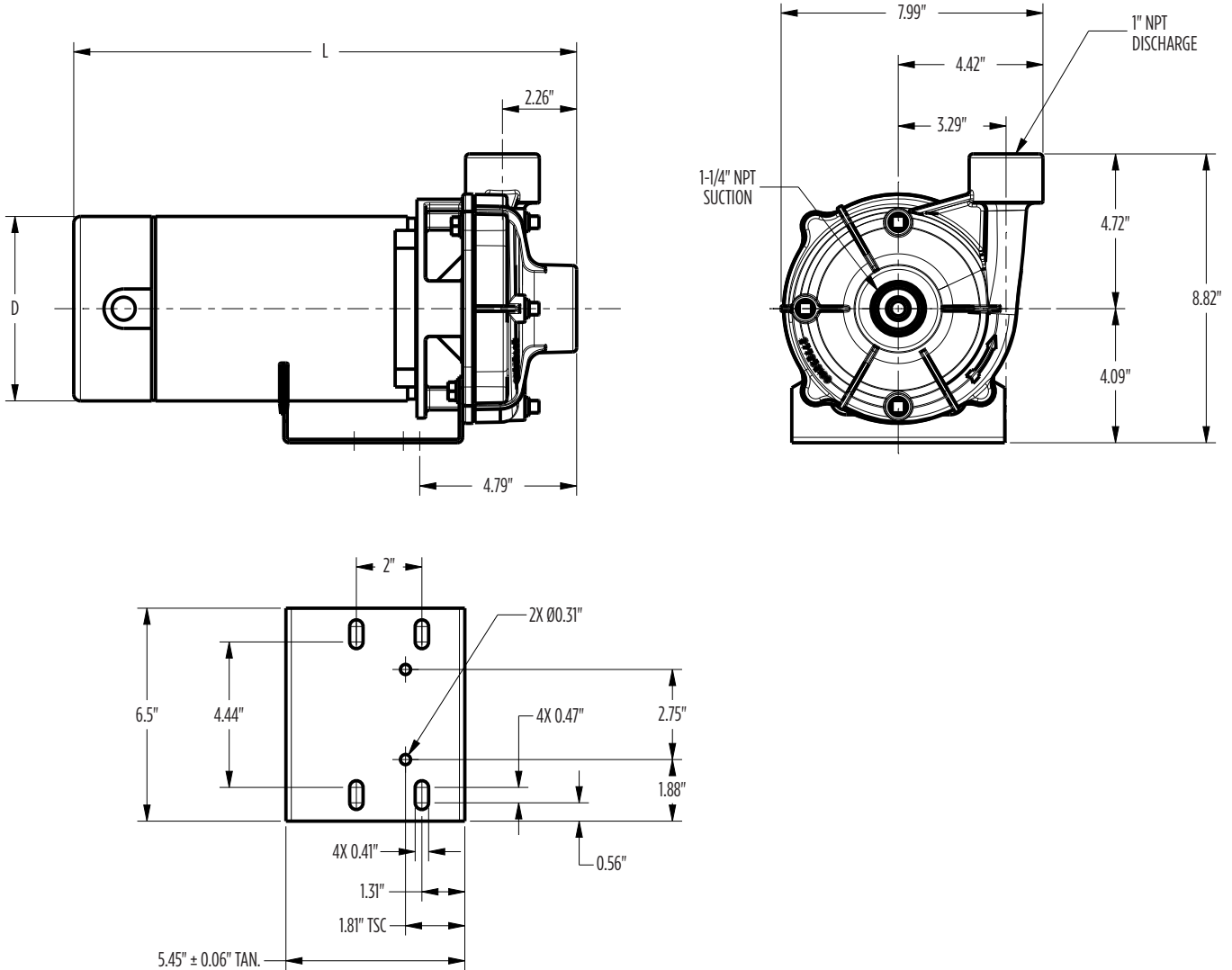
CLOSE-COUPLED DR SERIES

MENU



DIMENSIONS

DR1J 56J FRAME



Model	HP	PH	L (in)	D (in)	Suction	Discharge	Drain Ports (3)
DR1J05	1/2	1	15.35	5.63	1-1/4" NPT	1" NPT	1/4"
DR1J07	3/4		16.06				
DR1J1	1		16.17				
DR1J05	1/2	3	13.50	5.88			
DR1J07	3/4		14.00				
DR1J1	1		14.56				

CENTRIFUGAL PUMPS

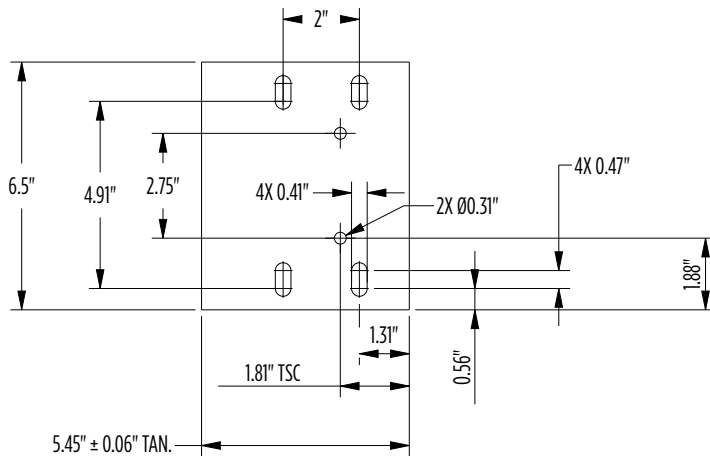
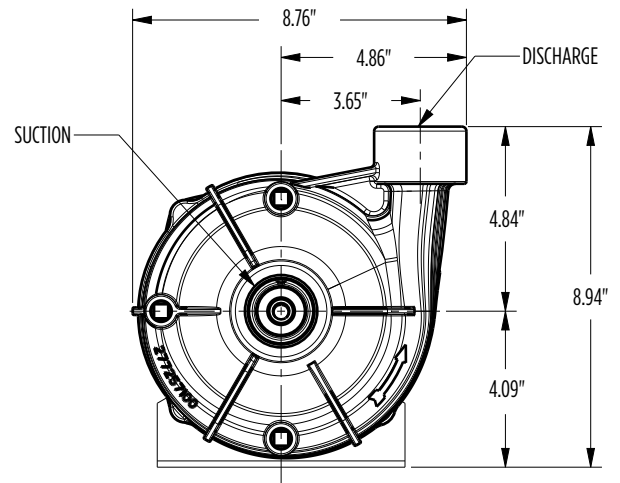
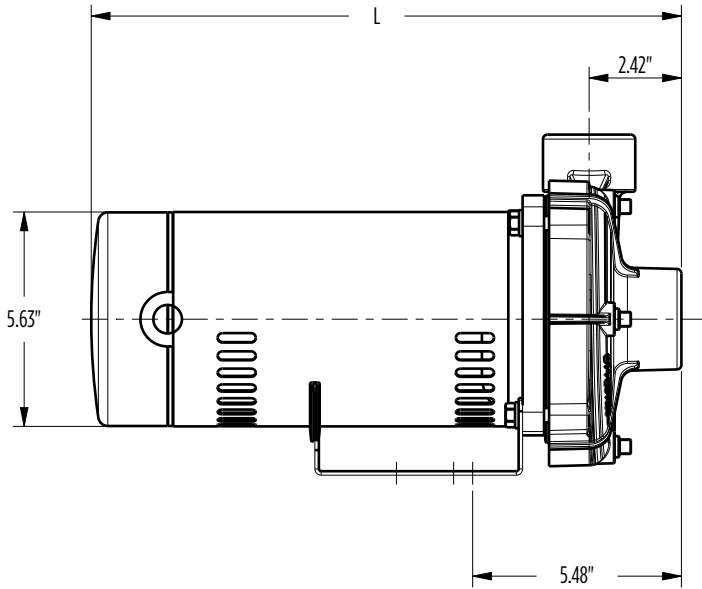
CLOSE-COUPLED DR SERIES

MENU



DIMENSIONS

DR2S SQUARE FLANGE



Model	HP	PH	L (in)	Suction	Discharge	Drain Ports (3)
DR2S1	1	1	15.48	1-1/2" NPT	1-1/4" NPT	1/4"
DR2S15	1-1/2		16.23			
DR2S2	2		17.45			
DR2S1	1	3	14.45			
DR2S15	1-1/2		15.45			
DR2S2	2		16.20			

CENTRIFUGAL PUMPS

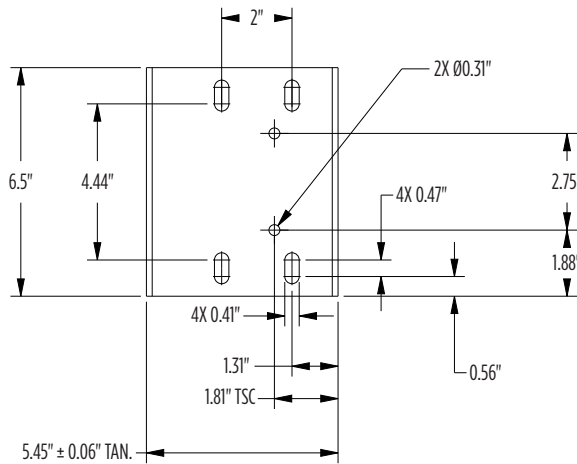
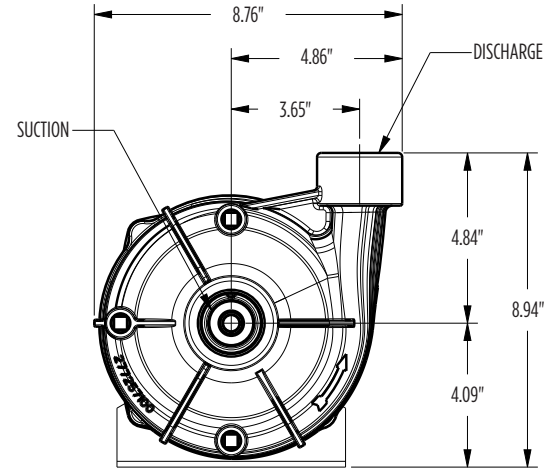
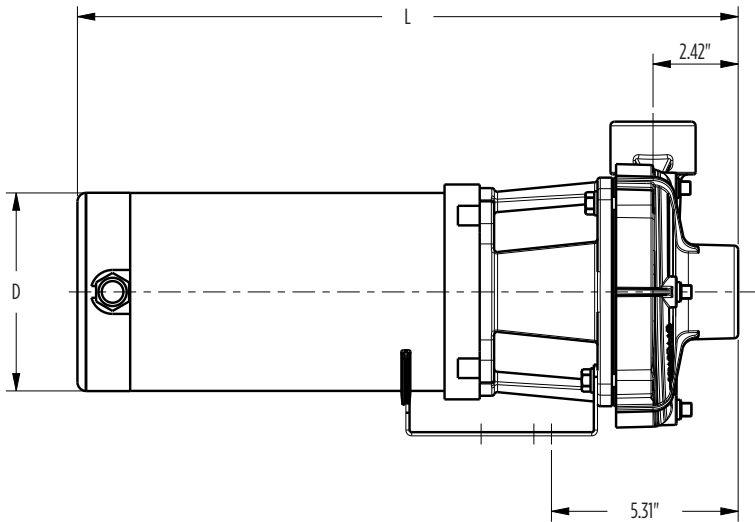
CLOSE-COUPLED DR SERIES

☰ MENU



DIMENSIONS

DR2C 56C FRAME



Model	HP	PH	Enclosure	L (in)	D (in)	Suction	Discharge	Drain Ports (3)
DR2C1	1	1	ODP	18.79	5.63	1-1/2" NPT	1-1/4" NPT	1/4"
DR2C15	1-1/2			19.29				
DR2C2	2			17.66				
DR2C1	1-1/2	1	TEFC	17.86	7.25	1-1/2" NPT	1-1/4" NPT	1/4"
DR2C15	2			18.14				
DR2C2	3			18.64				
DR2C1	1-1/2	3	TEFC	17.60	7.25	1-1/2" NPT	1-1/4" NPT	1/4"
DR2C15	2			18.85				
DR2C2	3			19.35				
DR2C1	1-1/2	3 - 575V	TEFC	18.35	7.25	1-1/2" NPT	1-1/4" NPT	1/4"
DR2C15	2			18.35				
DR2C2	3			18.35				

CENTRIFUGAL PUMPS

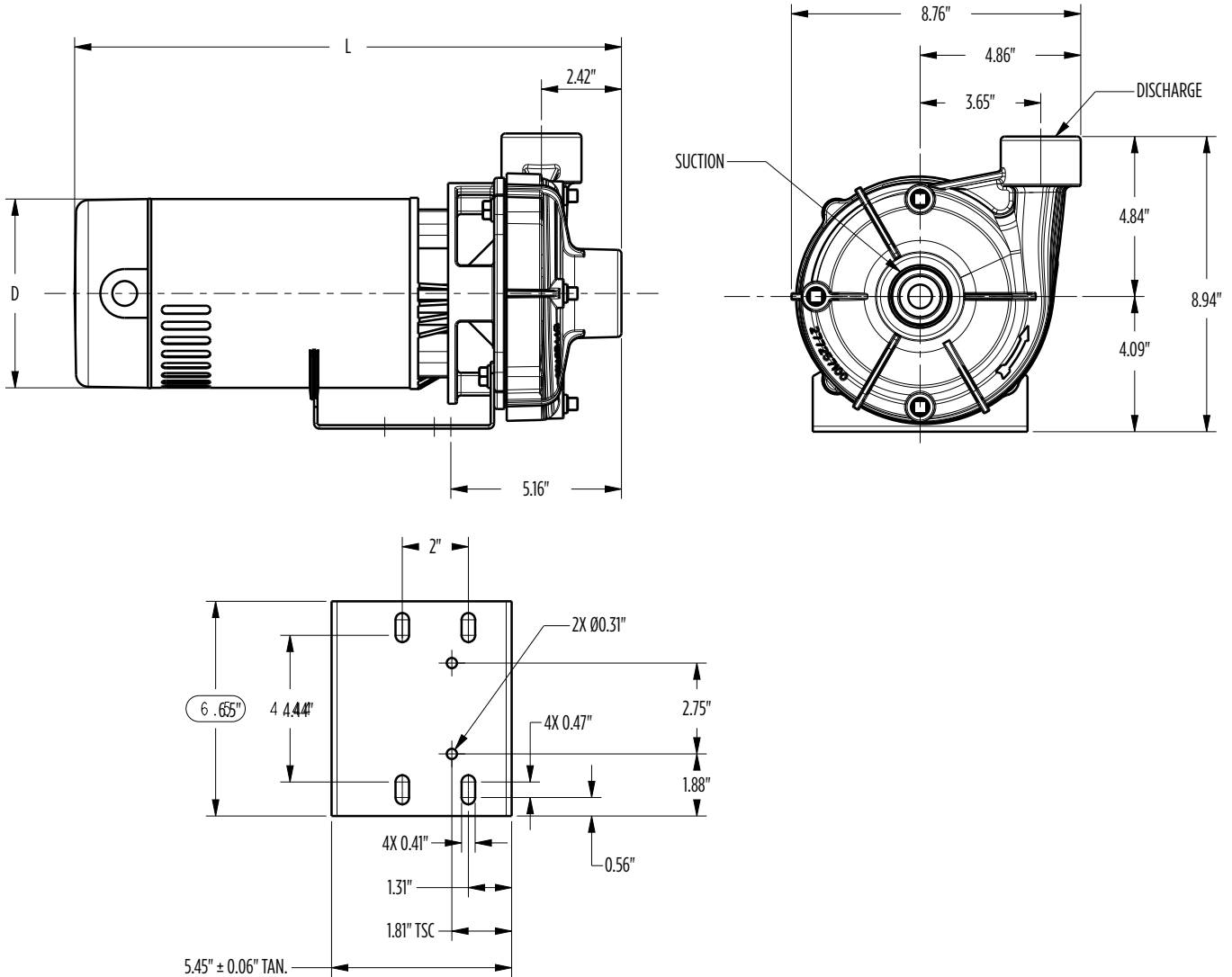
CLOSE-COUPLED DR SERIES

MENU



DIMENSIONS

DR2J 56J FRAME



Model	HP	PH	L (in)	D (in)	Suction	Discharge	Drain Ports (3)
DR2J1	1	1	16.55	5.63	1-1/2" NPT	1-1/4" NPT	1/4"
DR2J15	1-1/2		18.15				
DR2J2	2		18.15				
DR2J1	1	3	14.94				
DR2J15	1-1/2		16.56				
DR2J2	2		16.56				

CENTRIFUGAL PUMPS

CLOSE-COUPLED DR SERIES

☰ MENU



PUMP END KITS

56J ROUND FLANGE, THREADED SHAFT

Pump Series	Volute/Impeller	Motor	HP	Impeller Trim (in)	Order No.	Description	Wt. (lbs)
DR1J-CS	C.I./S.S.	56J	1/2	4.7	9712K205	DR1J05-CS-K	20
			3/4	5.00	9712K207	DR1J07-CS-K	20
			1	5.36	9712K210	DR1J11-CS-K	20
DR2J-CS	C.I./S.S.	56J	1	4.56	9714K210	DR2J11-CS-K	24
			1-1/2	5.25	9714K215	DR2J15-CS-K	24
			2	5.75	9714K220	DR2J21-CS-K	24

PUMP END KITS

56C ROUND FLANGE, KEYED SHAFT

Pump Series	Volute/Impeller	Motor	HP	Impeller Trim (in)	Order No.	Description	Wt. (lbs)
DR1C-SS	S.S./S.S.	56C	1/2	4.7	9715K305	DR1C05-SS-K	23
			3/4	5.00	9715K307	DR1C07-SS-K	23
			1	5.36	9715K310	DR1C11-SS-K	23
DR1C-CP	C.I./Plastic	56C	1/2	4.7	9715K005	DR1C05-CP-K	22
			3/4	5.00	9715K007	DR1C07-CP-K	22
			1	5.36	9715K010	DR1C11-CP-K	22
DR2C-CS	C.I./S.S.	56C	1	4.56	9716K210	DR2C11-CS-K	25
			1-1/2	5.25	9716K215	DR2C15-CS-K	25
			2	5.75	9716K220	DR2C21-CS-K	25

If you purchase a pump end kit without a factory supplied motor, you are responsible for ensuring that the motor driver has a sufficient horsepower and service factor rating to adequately handle the pump horsepower load across the spectrum of the operating curve.

NOTES

CLOSE-COUPLED DR SERIES



NOTES

CLOSE-COUPLED DR SERIES



NOTES

CLOSE-COUPLED DR SERIES





Franklin Electric