



MYERS[®]
3MW SERIES
SOLIDS HANDLING
WASTEWATER PUMPS



MYERS® 3MW SERIES

Solids Handling Wastewater Pumps

The Right Choice

The heavy-duty Myers 3MW series sewage pumps are designed for use in residential raw sewage and light commercial applications. 3MW pumps are available in single and dual seal configurations. The enclosed two-vane impeller provides high efficiency pumping and easily handles trashy solids normally found in sewage applications. This series is offered with vertical discharge and easily adapts to a quick-disconnect slide rail system. For more information, call your Myers distributor or the Myers sales office at 419-289-1144 for more details.



Product Capabilities

Capacities To	330 gpm	20.82 lps
Heads To	92 ft.	28.0 m
Solids Handling		
1750	2½ in.	63.5 mm
3450	2 in.	50.6 mm
Liquids Handling	Raw sewage, effluent, rain water	
Intermittent Liquid Temp.	up to 140°F	up to 60°C
Winding Insulation Temp. (Class B)	260°F	130°C
Motor Electrical Data	1750 rpm 1-3 HP	3450 rpm 1-3 HP
(single phase are psc type; three phase need Myers control panel.)	208/230 volt 1Ø, 60 Hz, 1750 rpm 200/230/460/575 volt, 3 phase, 60 Hz 3Ø, 60 Hz	
Third Party Approvals	CSA	
Acceptable pH Range	6 - 9	
Specific Gravity	.9 - 1.1	
Viscosity	28 - 35 SSU	
Discharge, Vertical	3" NPT	
Minimum Sump Dia. (Duplex)	48 in.	1.2 m

Note: Consult factory for applications outside these recommendations.

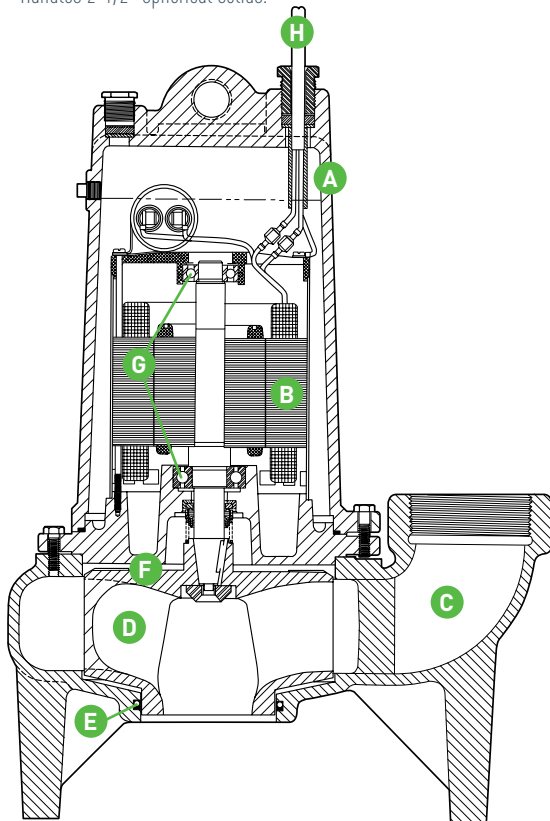
Construction Materials

Motor Housing, Seal Housing, Volute Case	Cast iron, class 30 ASTM A48
Enclosed 2-Vane Impeller	Ductile iron, class 65 ASTM A536
Power and Control Cords	SOOW / SJOOW
Mechanical Seals	Single, type 21 Carbon and ceramic Tungsten carbide
Standard	
Optional	
Pump, Motor Shaft	416 SST
Fasteners	300 series SST

Pump Features and Applications

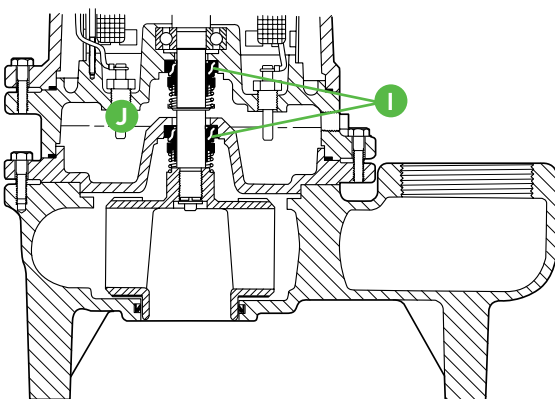
1750 RPM SHOWN

Handles 2-1/2" spherical solids.



3450 RPM SHOWN

Handles 2" spherical solids.



A. Motor Housing

Cast iron for efficient heat transfer and corrosion resistance.

B. Motor

1, 1½, 2 and 3 HP single or three phase, 60 Hz, 3450 RPM. 1½, 2 and 3 HP single or three phase, 60 Hz, 1750 RPM. Single phase PSC motors have built-in winding overload protection, oil-cooled and lubricated.

C. High Efficient Cast Iron Volute

Corrosion resistant. 3" NPT vertical discharge with legs.

D. Enclosed Two Vane Impeller

High efficiency. Standard cast iron construction.

E. Volute/Impeller Seal Ring

Maintains high efficiency and reduces recirculation. Replaceable.

F. Pump Out Vanes

Help keep trash from seal, reduces pressure at seal faces.

G. Ball Bearings

Upper and lower ball support rotor. Take radial and thrust loads.

H. Power and Control Cords

Jacket sealed with compression fittings. Individual wires potted with epoxy to prevent wicking in case of cord damage.

I. Shaft Seals

Carbon and ceramic faces. Dual tandem seals extends motor life. Optional tungsten carbide.

J. Seal Leak Probes

Optional probes (dual seal only) detect water leakage in seal housing. Activates warning light.

Advantages By Design.

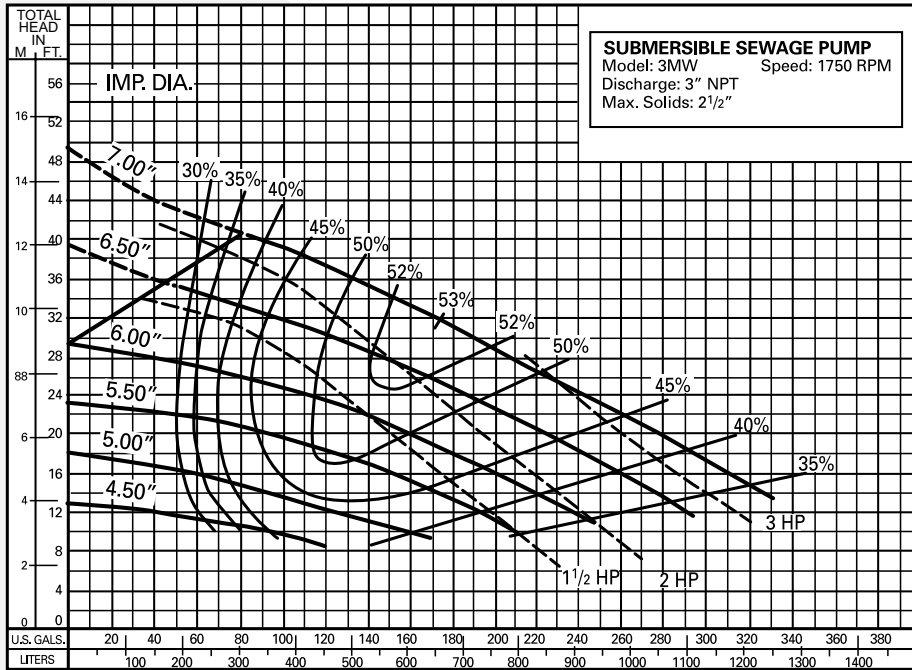
- High efficiency hydraulic design cuts pumping costs and extends life of fluid end components.
- Two-vaned rounded port impellers easily handle solids at high operating efficiencies.
- Offered in two speeds to cover larger operating range.
- Hydraulic end virtually maintenance free. No close running tolerances have to be maintained or adjusted.
- Volute seal ring replaces in minutes if wear should occur with no adjustments needed.

Durable Motor Will Deliver Many Years of Reliable Service.

- Oil-filled motor for maximum heat dissipation and constant bearing lubrication.
- High torque, permanent split capacitor (PSC), single phase motors. No starting switches or relays to wear out.
- Optional seal leak probe warns of seal leak condition (Dual seal motors only). Helps prevent costly motor damage.
- Motors have on winding current and temperature sensitive overload (Single phase only).
- Motor is held in place by 4 bolts. Easily removed if service is ever needed.

Performance Data

1750 RPM

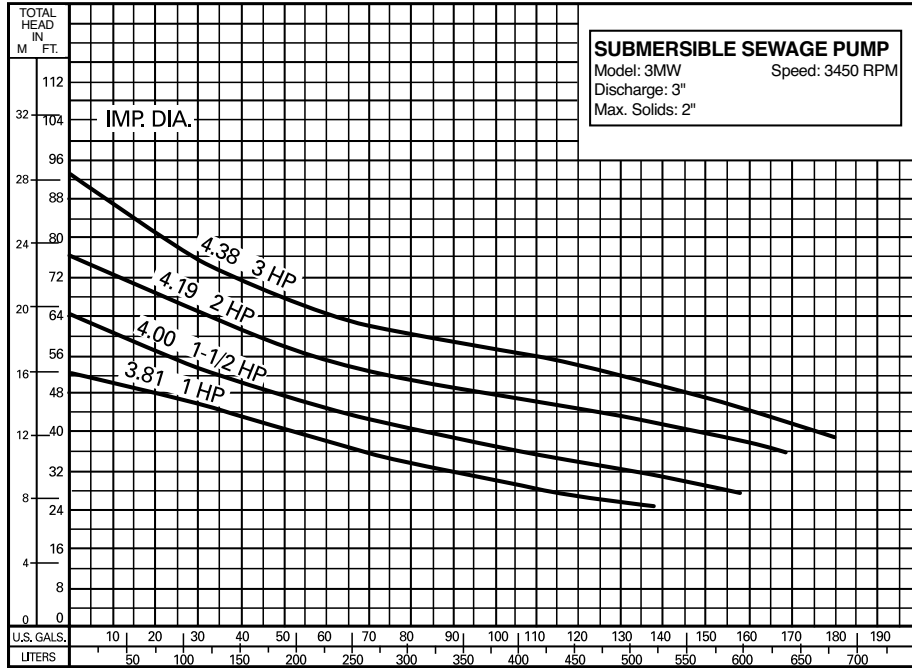


Pump performance is based on clear water (1.0 specific gravity @ 68°F) and pump fluid end (hydraulic) efficiency. Motor data based on 40°C ambient temperature.

Available Models	Motor Electrical Data								
	Model	HP	PH	Volts	Hz	Start Amps	Run Amps	Run kW	Start KVA
3MW15M4-01	1.5	1	208	60	39.9	16.6	2.7	8.3	A
3MW15M4-21	1.5	1	230	60	33.4	15	2.3	7.7	A
3MW15M4-03	1.5	3	208	60	45	11	2.2	16.2	F
3MW15M4-23	1.5	3	230	60	48	10	2.2	19.1	H
3MW15M4-43	1.5	3	460	60	24	5	2.2	19.1	H
3MW15M4-53	1.5	3	575	60	19	4	2.2	18.9	H
3MW20M4-01	2	1	208	60	39.9	17.7	3.4	8.3	A
3MW20M4-21	2	1	230	60	33.4	16	3	7.7	A
3MW20M4-03	2	3	208	60	45	13	2.9	16.2	F
3MW20M4-23	2	3	230	60	48	12	2.9	19.1	H
3MW20M4-43	2	3	460	60	24	6	2.9	19.1	H
3MW20M4-53	2	3	575	60	19	4.8	2.9	18.9	H
3MW30M4-21	3	1	230	60	33.4	20	3.8	7.7	A
3MW30M4-03	3	3	208	60	45	15	3.5	16.2	F
3MW30M4-23	3	3	230	60	48	13.5	3.5	19.1	H
3MW30M4-43	3	3	460	60	24	6.8	3.5	19.1	H
3MW30M4-53	3	3	575	60	19	5.5	3.5	18.9	H

Performance Data

3450 RPM



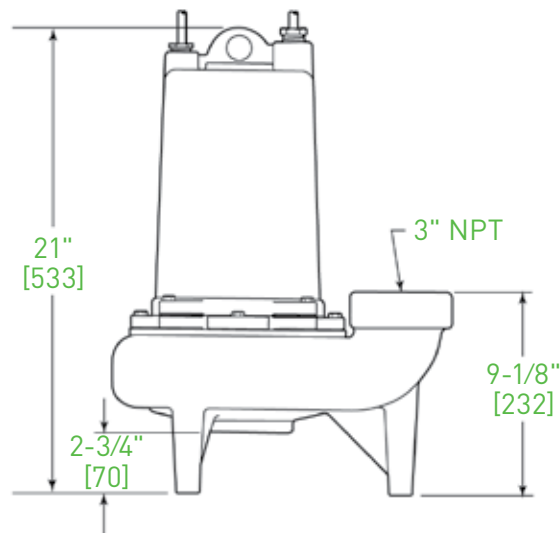
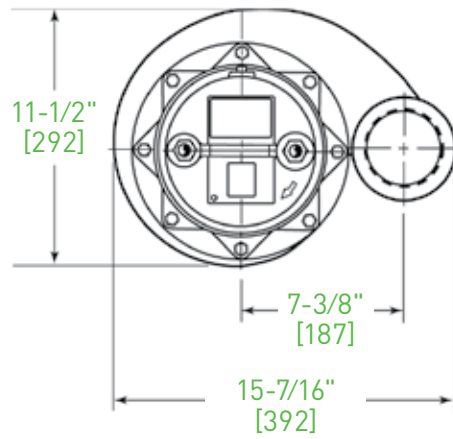
Pump performance is based on clear water (1.0 specific gravity @ 68°F) and pump fluid end (hydraulic) efficiency. Motor data based on 40°C ambient temperature.

Available Models	Motor Electrical Data								
	Standard	HP	PH	Volts	Hz	Start Amps	Run Amps	Run kW	Start KVA
3MW10M2-01	1	1	208	60	39.9	11.4	2.7	8.3	F
3MW10M2-21	1	1	230	60	33.4	10.3	2.4	7.7	F
3MW10M2-03	1	3	208	60	30	7.7	2.1	10.8	J
3MW10M2-23	1	3	230	60	32	7	2.1	12.8	K
3MW10M2-43	1	3	460	60	16	3.5	2.1	12.8	K
3MW10M2-53	1	3	575	60	13	2.8	2.1	13.0	K
3MW15M2-01	1.5	1	208	60	39.9	14.8	3.3	8.3	F
3MW15M2-21	1.5	1	230	60	33.4	12.8	3	7.7	F
3MW15M2-03	1.5	3	208	60	30	8.8	2.7	10.8	J
3MW15M2-23	1.5	3	230	60	32	8	2.7	12.8	K
3MW15M2-43	1.5	3	460	60	16	4	2.7	12.8	K
3MW15M2-53	1.5	3	575	60	13	3.2	2.7	13.0	K
3MW20M2-01	2	1	208	60	63	17.7	3.5	13.1	D
3MW20M2-21	2	1	230	60	63	16	3.5	14.5	E
3MW20M2-03	2	3	208	60	53	13	3.4	19.1	H
3MW20M2-23	2	3	230	60	50	12	3.4	19.9	H
3MW20M2-43	2	3	460	60	25	6	3.4	19.9	H
3MW20M2-53	2	3	575	60	20	4.8	3.4	19.9	H
3MW30M2-21	3	1	230	60	63	19	4.3	14.5	E
3MW30M2-03	3	3	208	60	53	14.7	4.2	19.1	H
3MW30M2-23	3	3	230	60	50	13.3	4.2	19.9	H
3MW30M2-43	3	3	460	60	25	6.7	4.2	19.9	H
3MW30M2-53	3	3	575	60	20	5.2	4.2	19.9	H

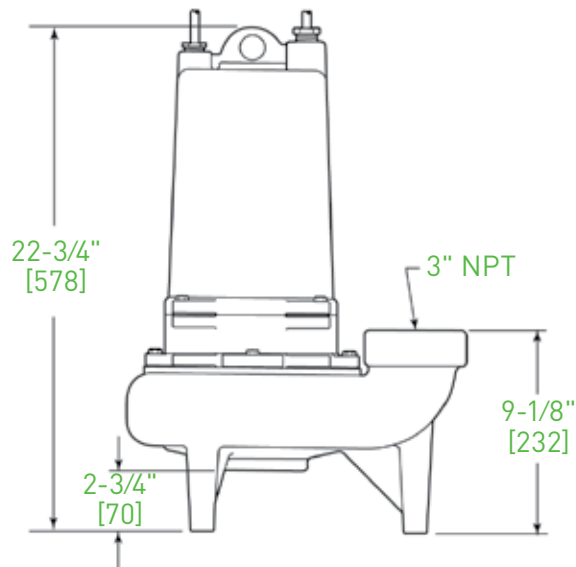
Dimensions

1750 RPM

Dimensions in inches, [] Dimensions in mm



Single Seal

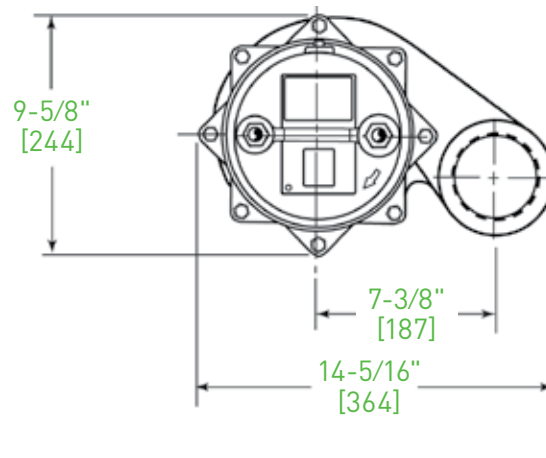


Dual Seal

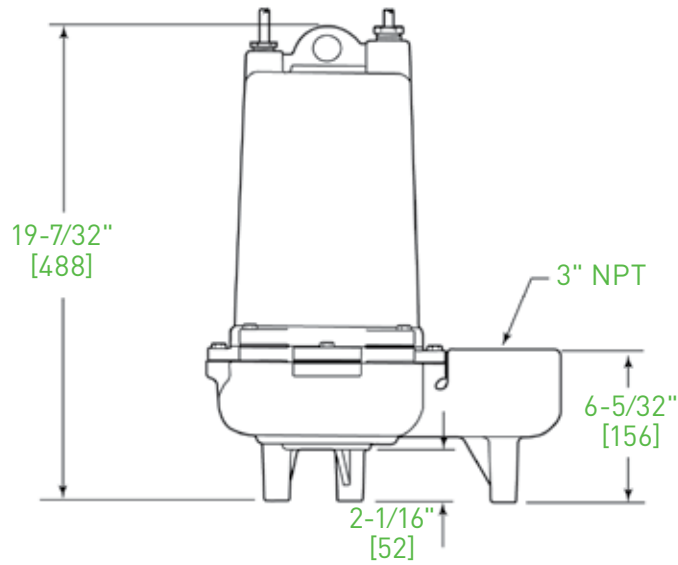
Dimensions

3450 RPM

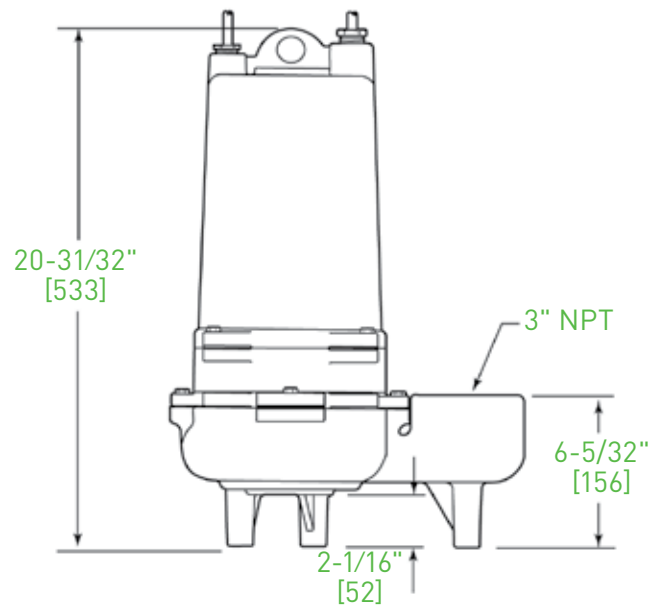
Dimensions in inches, [] Dimensions in mm



Single Seal



Dual Seal





740 EAST 9TH STREET,
ASHLAND, OHIO 44805
WWW.FEMYERS.COM

269 TRILLIUM DRIVE, KITCHENER,
ONTARIO, CANADA N2G 4W5
WWW.FEMYERS.COM

Because we are continuously improving our products and services, Pentair reserves the right to change specifications without prior notice.
K3818 1/24/13 © 2013 Pentair Ltd. All Rights Reserved.